

For Maintenance and Safety

INDIAN FTR OWNER'S MANUAL



2024



WARNING

Read, understand, and follow all of the instructions and safety precautions in this manual and on all product labels.

Failure to follow the safety precautions could result in serious injury or death.



WARNING

Operating, servicing, and maintaining a passenger vehicle or off-road vehicle can expose you to chemicals including engine exhaust, carbon monoxide, phthalates, and lead, which are known to the State of California to cause cancer and birth defects or other reproductive harm. To minimize exposure, avoid breathing exhaust, do not idle the engine except as necessary, service your vehicle in a well-ventilated area and wear gloves or wash your hands frequently when servicing your vehicle.

For more information go to www.P65Warnings.ca.gov/passenger-vehicle.



2024 Owner's Manual

Indian Motorcycle FTR
Indian Motorcycle FTR Rally
Indian Motorcycle FTR Sport
Indian Motorcycle FTR R Carbon
Indian Motorcycle FTR X 100% R Carbon

All information contained within this publication is based on the latest product information available at the time of publication. Product improvements or other changes may result in differences between this manual and the motorcycle. Depictions and/or procedures in this publication are intended for reference use only.

No liability can be accepted for omissions or inaccuracies. Indian Motorcycle reserves the right to make changes at any time, without notice and without incurring obligation to make the same or similar changes to motorcycles previously built. Any reprinting or reuse of the depictions and/or procedures contained within, whether whole or in part, is expressly prohibited.

Unless noted, trademarks are the property of Indian Motorcycle International, LLC

AXALTA® is a registered trademark of Axalta Coating Systems IP Co. APPLE® and APP STORE® are registered trademarks of Apple Inc. BatteryMINDER® is a registered trademark of VDC Electronics, Inc. Bluetooth® is a registered trademark of Bluetooth Sig, Inc. Google Play® is a registered trademark of Google, LLC. NGK® is a registered trademark of NGK Spark Plug Co., LTD. Pirelli®, Scorpion®, Metzeler®, and Sportec® are registered trademarks of PIRELLI TYRE S.P.A. Ride Command® is a registered trademark of Polaris, Inc. “No Place Is Home” - Welshly Arms - Legendary.

© 2023 Indian Motorcycle International, LLC

9941382 Rev 02

CONGRATULATIONS!

Congratulations on your purchase of a new INDIAN MOTORCYCLE. You have joined an elite family of motorcycle riders who have acquired a celebrated piece of American history by choosing to own an INDIAN MOTORCYCLE.

Your new motorcycle is the end result of true dedication and craftsmanship by our engineering, design and assembly teams. It was designed and manufactured to meet our goal of providing you with a high quality motorcycle that you can ride trouble-free for many years to come. We hope you will take as much pride in riding your new motorcycle as our team did in building it for you.

We urge you to read this rider's manual thoroughly. It contains information essential to safe riding and proper maintenance of your motorcycle.

Your authorized INDIAN MOTORCYCLE dealer knows your motorcycle best and should be consulted for service and assistance. Skilled technicians using advanced equipment and methods are best qualified to perform all major repairs and service your motorcycle may require.

INDIAN MOTORCYCLE complies with all federal, state and local safety and emission regulations for the area of intended sale.

SAFETY SYMBOLS AND SIGNAL WORDS

The following signal words and symbols appear throughout this manual. Your safety and the safety of others is involved when these words and symbols are used. Become familiar with their meanings before reading the manual.

DANGER

DANGER indicates a hazardous situation which, if not avoided, **WILL** result in death or serious injury.

WARNING

WARNING indicates a hazardous situation that, if not avoided, **may** result in death to the operator, bystanders or person(s) inspecting or servicing the vehicle.

CAUTION

SAFETY ALERT CAUTION indicates a potential hazard that may result in minor personal injury or damage to the vehicle.

IMPORTANT

IMPORTANT provides key reminders during disassembly, assembly, and inspection of components.

NOTICE

NOTICE provides key information by clarifying instructions.

TIP

TIP provides a piece of advice or an authoritative instruction.

Introduction. **7**

Safety. **11**

 Reporting Safety Defects 19

Features and Controls **23**

Ride Command (If Equipped) **43**

Pre-Ride Inspections **57**

Operation. **71**

Maintenance **83**

Troubleshooting. **143**

Cleaning and Storage **147**

Specifications **153**

Warranty **161**

Maintenance Log **175**

INTRODUCTION

SERVICE AND WARRANTY INFORMATION

Some procedures are beyond the scope of this manual. See your dealer to purchase an *INDIAN MOTORCYCLE Service Manual*. Some procedures provided in the service manual require specialized knowledge, equipment, and training. Be sure you have the required technical skills and tools that are needed before you attempt ANY service on your motorcycle. Please contact your authorized dealer before attempting any service work that is beyond your level of technical knowledge or experience, or if the work requires specialized equipment.

OPERATING MOTORCYCLE OUTSIDE THE U.S.A.

If you plan to operate your motorcycle in countries other than the USA and Canada:

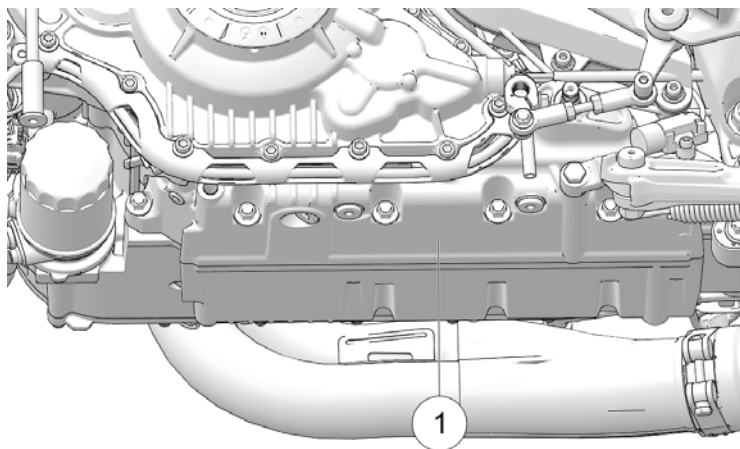
- Service facilities or replacement parts may not be readily available.
- Unleaded gasoline may not be available. The use of leaded fuels will cause engine damage, damage to your emissions systems and voiding of your warranty.
- Gasoline may have a considerably lower octane rating. Improper fuel can cause engine damage.

KEY IDENTIFICATION NUMBER

The key identification number is stamped on the metal key tag attached to the key ring. If it becomes necessary to replace the ignition key for any reason, provide the key number to your INDIAN MOTORCYCLE dealer.

ENGINE IDENTIFICATION NUMBER

The engine number ① is stamped into the bottom of the left crankcase near the sidestand.



INTRODUCTION

IDENTIFICATION NUMBER RECORD

RECORD IMPORTANT IDENTIFICATION NUMBERS BELOW.	
Vehicle Identification Number (VIN)	
Engine Identification Number	
Ignition Key Number	

INDUSTRY CANADA ICES-002 (INTERFERENCE-CAUSING EQUIPMENT STANDARD)

This vehicle complies with the Canadian standard ICES-002.

TOUCHSCREEN DISPLAY COMPLIANCE STATEMENT

Notice: This device complies with part 15 of the FCC Rules and with Industry Canada license-exempt RSS standard(s). Operation is subject to the following two conditions: (1) this device may not cause interference, and (2) this device must accept any interference received including interference that may cause undesired operation.

Per RSS-Gen, Section 8.4, this device complies with Industry Canada license-exempt RSS standard(s). Operation is subject to the following two conditions: (1) this device may not cause interference, and (2) this device must accept any interference, including interference that may cause undesired operation of the device."

Polaris Industries Inc. hereby declares that the radio equipment in-vehicle display unit is in compliance with the following directives:

- 2014/53/EU European Radio Equipment Directive
- 2011/65/EU RoHS 2011/65/EU (Recast)
- 2015/863 RoHS July 22, 2019

The full text of the EU declaration of conformity is available at the following internet address:

<https://www.polaris.com/en-us/radio-conformity/>

Per 47 CFR 15.21, the user's manual for instruction or an intentional or unintentional radiator shall caution the user that changes or modifications not expressly approved by the party responsible for compliance could void the user's authority to operate the equipment.

CAUTION

This equipment complies with part 15 of the Federal Communications Commission (FCC) rules. These requirements are intended to provide reasonable protection against harmful interference in a residential installation. This equipment generates, uses and can radiate radio frequency energy and, if not installed and used in accordance with the instructions, may cause harmful interference to radio communications. However, there is no guarantee that interference will not occur in a particular installation.

 CAUTION

If this equipment does cause harmful interference to radio or television reception, which can be determined by turning the equipment off and on, the user is encouraged to try to correct the interference by one or more of the following measures:

- Reorient or relocate the receiving antenna.
- Increase the separation between the equipment and receiver.
- Connect the equipment into an outlet on a circuit different from that to which the receiver is connected.
- Consult the dealer or an experienced radio/TV technician for help.

Changes or modifications to this equipment not expressly approved by the party responsible for compliance could void the user's authority to operate the equipment.

SAFETY ABOUT THE RIDER'S MANUAL

WARNING

Failure to follow all recommended precautions and procedures could result in serious injury or death. Always heed all safety precautions and follow all operation, inspection and maintenance procedures outlined in this manual.

All references to RIGHT, LEFT, FRONT or REAR are from the operator's perspective when seated in a normal riding position. If you have questions about the operation or maintenance of your motorcycle after you've read this manual, please see your authorized dealer. To locate the nearest authorized INDIAN MOTORCYCLE dealer, visit the INDIAN MOTORCYCLE web site at www.indianmotorcycle.com.

Carefully read and understand the information found in the *Safety* section beginning on this page. To keep your motorcycle in peak condition on the road or in storage, understand and follow the procedures outlined in the *Maintenance* section beginning on page 83.

Bring the manual along when you ride. Following the precautions and procedures in the manual will add to your enjoyment and help keep you safe. If you lose or damage this manual, please purchase a new one through any authorized INDIAN MOTORCYCLE dealer. This rider's manual should be considered part of the motorcycle and should remain with the motorcycle when ownership changes.

SAFE RIDING PRACTICES

WARNING

Improper use of this motorcycle can result in serious injury or death. To minimize the risk, read and understand the information contained in this section before operating the motorcycle. This section contains safety information specific to the INDIAN MOTORCYCLE, as well as information about general motorcycle safety. Anyone who rides the motorcycle (operators and passengers) must follow these safety precautions.

MOTORCYCLING HAS INHERENT RISKS

You can minimize those risks, but you can't eliminate them completely. Even if you're an experienced motorcycle operator or passenger, read all of the safety information in this manual before operating the motorcycle.

- Take a rider education course from a qualified instructor. The course will help you develop or refresh your expertise in safe riding habits through instruction and riding.
- Read and understand all information in this rider's manual.
- Observe all maintenance requirements specified in this manual. See the *INDIAN MOTORCYCLE Service Manual* or an authorized INDIAN MOTORCYCLE dealer.

DESIGN CHARACTERISTICS AFFECT HOW YOU SHOULD RIDE THE MOTORCYCLE

- The motorcycle is designed for use on paved or gravel roads with one rider (and one passenger if the motorcycle is equipped with a passenger seat). Never exceed the GVWR or the GAWR. Refer to the Specifications section, or the Manufacturing Information/VIN label on the motorcycle frame for model-specific information.
- Riding off-road, riding with more than one passenger, or carrying weight exceeding the maximum weight rating can make handling difficult, which could cause loss of control.
- During the first 500 miles (800 km) of operation, follow all break-in procedures as outlined on page 71. Failure to do so can result in serious engine damage.
- If your motorcycle is equipped with saddlebags, a windshield or a passenger backrest, be prepared to reduce operating speed to maintain stability.

FOLLOW THESE GENERAL SAFE RIDING PRACTICES

- Before each ride, perform the pre-ride inspections. Failure to do so may result in damage to the motorcycle or an accident.
- Until you're thoroughly familiar with the motorcycle and all of its controls, practice riding where there is little or no traffic. Practice riding at a moderate speed on various road surfaces and in different weather conditions.
- Know your skills and limits, and ride within them.

- Allow only licensed, experienced operators to ride your motorcycle, and then only after they have become familiar with its controls and operation. Make sure all riders read and understand this rider's manual before riding.
- Do not ride when you're fatigued, ill or under the influence of alcohol, prescription drugs, over-the-counter drugs or any other drugs. Fatigue, illness, alcohol and drugs can cause drowsiness, loss of coordination and loss of balance. They can also affect your awareness and judgment.
- If your motorcycle operates abnormally, correct the problem immediately. See the *INDIAN MOTORCYCLE Service Manual* or an authorized INDIAN MOTORCYCLE dealer or other qualified dealer.
- Ride defensively, as if you are invisible to other motorists, even in broad daylight. *A motorist's failure to see or recognize a motorcycle is the leading cause of automobile/motorcycle accidents.* Ride where you're clearly visible to other motorists, and observe their behavior carefully.
- Be especially cautious at intersections, as these are the most likely places for an accident.
- To prevent loss of control, keep your hands on the handlebars and your feet on the footrests.
- Obey the speed limit and adjust your speed and riding technique based on road, weather and traffic conditions. As you travel faster, the influence of all other conditions increases, which can affect the motorcycle's stability and increase the possibility of losing control.
- Do not move or operate the motorcycle with the steering locked (if equipped), as the severely restricted steering could result in loss of control.

- Reduce speed when:
 - The road has potholes or is otherwise rough or uneven.
 - The road contains sand, dirt, gravel or other loose substances.
 - The road is wet, icy or oily.
 - The road contains painted surfaces, manhole covers, metal grating, railway crossings or other slippery surfaces.
 - The weather is windy, rainy or otherwise causing slippery or rapidly changing conditions.
 - Traffic is heavy, congested, not allowing sufficient space between vehicles or otherwise not flowing smoothly.
 - You are being passed in either direction by a large vehicle that may produce a wind blast in its wake.
- When approaching a curve, choose a speed and lean angle that allows you to pass through the curve in your own lane without applying the brakes. Excessive speed, improper lean angle or braking in a curve can cause loss of control.
- Ground clearance is reduced when the motorcycle leans. Do not allow components to contact the road surface when leaning the motorcycle in a curve, as this could cause loss of control.
- Do not tow a trailer. Towing a trailer can make the motorcycle hard to handle.
- Retract the sidestand fully before riding. If the sidestand is not fully retracted, it could contact the road surface and cause loss of control.
- To maximize braking effectiveness, *use the front and rear brakes together*. Be aware of the following braking facts and practices:
 - The rear brake provides 40% of the motorcycle's stopping power, at most. Use the front and rear brakes together.
 - To avoid skidding, apply the brakes gradually when the road is wet or rough, or contains loose or other slippery substances.
 - If possible, avoid applying the brakes while making a turn. Motorcycle tires have less traction during turns, so braking will increase the possibility of skidding. Bring the motorcycle to the upright position before applying the brakes.
 - With new pads and rotors, allow up to 250 miles (500 km) of operation in urban driving conditions (not highway cruising) to allow pads to mate with new rotors. Brakes should be used frequently. During this time brake performance will be less effective. Avoid using brakes harshly unless in an emergency. Brake efficiency will gradually increase during this seating period.

PROTECTIVE APPAREL

IMPORTANT

Wear protective apparel to decrease the risk of injury and increase riding comfort.

- Always wear a helmet that meets or exceeds established safety standards. Approved helmets in the USA and Canada bear a U.S. Department of Transportation (DOT) label. Approved helmets in Europe, Asia and Oceania bear the ECE 22.05 label. The ECE mark consists of a circle surrounding the letter E, followed by the distinguishing number of the country which has granted approval. The approval number and serial number will also be displayed on the label. Laws in some areas *require* that you wear an approved helmet. Head injuries are the leading cause of fatalities in accidents involving motorcycles. Statistics prove that an approved helmet is the most effective protection in preventing or reducing head injuries. The helmet should fit snugly, be securely fastened, have no obvious defects, and have not previously been involved in an accident/crash.
- Wear eye protection to protect eyes from wind or airborne particles and objects. Wearing a face shield can help protect your face in an accident/crash and protect face from wind or airborne particles or objects. Laws in some areas *require* that you wear eye protection. We recommend that you wear approved Personal Protective Equipment (PPE) bearing markings such as VESC 8, V-8, Z87.1, or CE. Make sure protective eyewear is kept clean.

- All riders should wear bright or light-colored and/or reflective clothing to improve visibility to other motorists. *A motorist's failure to see or recognize a motorcycle is the leading cause of automobile/motorcycle accidents.*
- Wear gloves, a jacket, or long sleeves with CE approved protective gear, closed-toe footwear that covers ankles and long pants to prevent or reduce injury from abrasions, lacerations or burns should the motorcycle fall. Be cautious of footwear with high heels, as they can catch on pedals or footrests. The combination of boots and pants should completely cover legs, ankles and feet, protecting skin from engine and exhaust system heat.
- Do not wear loose, flowing clothing or long boot laces, as they can catch on handlebars, levers or footrests, or they can become entangled in the wheels, causing loss of control and serious injury.

ANTI-LOCK BRAKE SYSTEM RESPONSE

When the anti-lock brakes engage during a braking event, the rider will feel pulsing at the brake levers. *Continue to apply steady pressure to the brakes for the best stopping performance.*

CARRYING A PASSENGER



Do not carry a passenger unless the motorcycle is equipped with passenger seat and passenger footrests.

- Do not exceed the gross vehicle weight rating (GVWR) or the gross axle weight rating (GAWR) for your motorcycle. Refer to the *Specifications* section of this manual or the Manufacturing Information/VIN label on the motorcycle frame for model-specific information.
- Adjust ride height as needed. See the *Rear Shock Preload (Ride Height) Inspection* and *Rear Shock Preload (Ride Height) Adjustment* sections for details.
- Direct the passenger to hold onto you or to the passenger hand-holds with both hands and to keep both feet on the passenger footrests. Do not carry a passenger who cannot place both feet firmly on the passenger footrests. A passenger who is not holding on properly, or who cannot reach the passenger footrests, can shift their body erratically, which can make the motorcycle hard to handle and cause loss of control.
- Before riding, be sure your passenger knows safe riding procedures. Discuss any safety information unfamiliar to your passenger. A passenger who is unaware of safe riding procedures may distract you or make movements that make the motorcycle hard to handle.
- Adjust your riding style to compensate for the differences in handling, acceleration and braking caused by the additional weight of the passenger. Failure to do so can cause loss of control.

USE OF ACCESSORIES

Because INDIAN MOTORCYCLE cannot test and make specific recommendations concerning every accessory or combination of accessories sold, the operator is responsible for determining that the motorcycle can be safely operated with any accessories or additional weight. Use the following guidelines when choosing and installing accessories:

- Do not install accessories that impair operator visibility or the stability, handling or operation of the motorcycle. Before installing an accessory, be sure that it does not:
 - reduce ground clearance when the motorcycle is either leaned or in a vertical position;
 - limit suspension or steering travel or your ability to operate controls;
 - displace you from your normal riding position;
 - obscure lights or reflectors.
- Bulky, heavy or large accessories can cause instability (due to the lifting or buffeting effects of wind) and loss of control.
- Do not install electrical accessories that exceed the capacity of the motorcycle's electrical system. Never install higher wattage light bulbs than those supplied as original equipment. An electrical failure could result and cause hazardous loss of engine power or lights, or damage to the electrical system. See the Electrical Precautions section for details.
- Use only genuine INDIAN MOTORCYCLE accessories designed for your model.
- Do not exceed the GROSS VEHICLE WEIGHT RATING (GVWR) or the GROSS AXLE WEIGHT RATING (GAWR) for your motorcycle.

SAFETY

MODIFICATIONS

Modifying the motorcycle by removing any equipment or by adding equipment not approved by the manufacturer may void your warranty. Some modifications may not be legal in your area of operation. If in doubt, contact your authorized INDIAN MOTORCYCLE dealer.



Modifications could make the motorcycle unsafe to ride and could result in serious injury to operator or passenger, as well as damage to the motorcycle.

PARKING THE MOTORCYCLE

When leaving the motorcycle unattended, turn the engine off. Your motorcycle is equipped with a keyed ignition. Remove the ignition key to prevent unauthorized use.

Park the motorcycle where people are not likely to touch the hot engine or exhaust system or place combustible materials near these hot areas. Do not park near a flammable source such as a kerosene heater or an open flame, where hot components could ignite combustible materials.

Park the motorcycle on a firm, level surface. Sloped or soft surfaces may not support the motorcycle. If you must park on a slope or soft surface, follow the precautions outlined on page 81.

SADDLEBAG

Whenever operating with a saddlebag or while carrying cargo:

- Never ride at excessive speeds. Saddlebags and cargo, combined with the lifting or buffeting effects of wind, can make the motorcycle unstable and cause loss of control.
- Do not exceed the individual weight limit of the saddlebag.
- NEVER EXCEED GROSS VEHICLE WEIGHT RATING (GVWR) or the GROSS AXLE WEIGHT RATING (GAWR), regardless of whether or not the saddlebag is loaded to capacity. Exceeding the weight rating can reduce stability and handling and cause loss of control.

CARRYING CARGO

Use the following guidelines when attaching cargo or accessories to the motorcycle. Where applicable, these guidelines also refer to the contents of any accessories.

- Keep cargo and accessory weight to a minimum, and keep items as close to the motorcycle as possible to minimize a change in the motorcycle's center of gravity. Changing the center of gravity can cause loss of stability and handling and could cause loss of control.
- Do not exceed the GROSS VEHICLE WEIGHT RATING (GVWR) or the GROSS AXLE WEIGHT RATING (GAWR) for your motorcycle.

- Distribute weight evenly on both sides of the motorcycle. Maintain even weight distribution by checking accessories and cargo to make sure they're securely attached to the motorcycle before riding and whenever you take a break from riding. Uneven weight distribution or sudden shifting of accessories or cargo while you're riding may cause difficult handling, loss of control and driving hazards for other motorists (if cargo falls from the motorcycle).
- For riding comfort and to ensure proper ground clearance, adjust rear shock preload. See the Rear Shock Preload (Ride Height) Inspection section for details.
- Do not attach large or heavy cargo such as sleeping bags, duffel bags or tents to the handlebars, front fork area or front fender. Cargo or accessories placed in these areas can cause instability (due to improper weight distribution or aerodynamic changes) and could cause loss of control.
- Do not exceed the maximum cargo weight limit of any accessory (see accessory instructions and labels). Do not attach cargo to an accessory not designed for that purpose. Either circumstance could result in an accessory failure that could cause loss of control.
- Always obey posted speed limits.
- Do not attach anything to the motorcycle unless specifically designed for that purpose by INDIAN MOTORCYCLE.

TRANSPORTING THE MOTORCYCLE

If you must transport the motorcycle:

- Use a truck or trailer. Do not tow the motorcycle with another vehicle, as towing will impair the motorcycle's steering and handling.
- Position and restrain the motorcycle in an upright position.
- Do not restrain the motorcycle using the handlebars.
- Loop tiedown straps (from the front) up and over the lower triple clamp, using care to not interfere with wiring and brake lines. Place tiedowns as wide apart as possible on the truck or trailer bed for best stability.
- Do not engage the side stand during truck or trailer transportation.

FUEL AND EXHAUST SAFETY

Always heed these fuel safety warnings when refueling or servicing the fuel system.



WARNING

Gasoline is highly flammable and explosive under certain conditions.

- Always exercise extreme caution whenever handling gasoline.
- Always turn off the engine before refueling.
- Always refuel outdoors or in a well-ventilated area.
- Open the fuel cap slowly. Do not overfill the tank. Do not fill the tank neck.
- Do not smoke or allow open flames or sparks in or near the area where refueling is performed or where gasoline is stored.

SAFETY

WARNING

Gasoline and gasoline vapors are poisonous and can cause serious injury.

- Do not swallow gasoline, inhale gasoline vapors, or spill gasoline. If you swallow gasoline, inhale more than a few breaths of gasoline vapor, or get gasoline in your eyes, see a physician immediately.
- If gasoline spills on your skin or clothing, immediately wash it off with soap and water and change clothing.
- Exhaust gases contain carbon monoxide, a colorless, odorless gas that can cause loss of consciousness or death in a short time.
- Never start the engine or let it run in an enclosed area.
- Never inhale exhaust gases.

- Before each ride, perform the *Pre-Ride Inspections*.
- Perform all periodic maintenance at the recommended intervals outlined in the *Periodic Maintenance* section.
- Always maintain proper tire pressure, tread condition and wheel and tire balance. Inspect tires regularly and replace worn or damaged tires promptly. Use only approved replacement tires. See the *Specifications* section.
- Always ensure proper steering head bearing adjustment. Regularly inspect the rear shock absorber and the front forks for fluid leaks or damage. Make any necessary repairs promptly. See page 119.
- Clean the motorcycle thoroughly to reveal items in need of repair.
- Always ensure all exhaust heat shields are present and in good condition.
- Fasteners must meet original specifications for quality, finish and type to ensure safety. Use only genuine INDIAN MOTORCYCLE replacement parts, and ensure that all fasteners are tightened to the proper torque.

SAFETY MAINTENANCE

WARNING

Failure to perform safety maintenance as recommended can result in difficult handling and loss of control, which could result in serious injury or death. Always perform the safety maintenance procedures as recommended in this manual. Perform maintenance and repairs promptly. See the INDIAN MOTORCYCLE Service Manual or an authorized INDIAN MOTORCYCLE dealer or other qualified dealer.

GROSS VEHICLE WEIGHT RATING (GVWR)



Exceeding the gross vehicle weight rating of your motorcycle can reduce stability and handling and could cause loss of control. NEVER exceed the GVWR of your motorcycle.

The *maximum load capacity* of your motorcycle is the maximum weight you may add to your motorcycle *without exceeding the GVWR*. This capacity is determined by calculating the difference between your motorcycle's GVWR and wet weight.

Refer to the *Specifications* section of this manual or the Manufacturing Information/VIN label on the motorcycle frame for model-specific information.

When determining the weight you will be adding to your motorcycle, and to ensure you do not exceed the maximum load capacity, include the following:

- Operator body weight
- Passenger body weight
- Weight of all rider's apparel and items in or on apparel
- Weight of any post-production accessories and their contents
- Weight of any additional cargo on the motorcycle

REPORTING SAFETY DEFECTS

If you believe that your vehicle has a defect that could result in a crash or cause injury or death, you should immediately inform the National Highway Traffic Safety Administration (NHTSA) in addition to notifying INDIAN MOTORCYCLE in writing.

If NHTSA receives similar complaints, it may open an investigation, and if it finds that a safety defect exists in a group of vehicles, it may order a recall and remedy campaign. However, NHTSA cannot become involved in individual problems between you, your INDIAN MOTORCYCLE dealer or INDIAN MOTORCYCLE.

To contact NHTSA, or obtain other information about motor vehicle safety, you may either call the Vehicle Safety Hotline toll-free at 1-888-327-4236 (TTY: 1-800-424-9153), visit the NHTSA web site at www.safercar.gov, or write to:

ADMINISTRATOR, NHTSA
1200 New Jersey Avenue, SE
West Building
Washington, DC 20590

To report a safety defect to Transport Canada, you may either fill out an online defect complaint form at their website (English: <http://www.tc.gc.ca/recalls>, French: <http://www.tc.gc.ca/rappels>) or contact their Defect Investigations and Recalls Division by calling toll-free 1-800-333-0510 (Canada) or 819-994-3328 (Ottawa-Gatineau area / International).

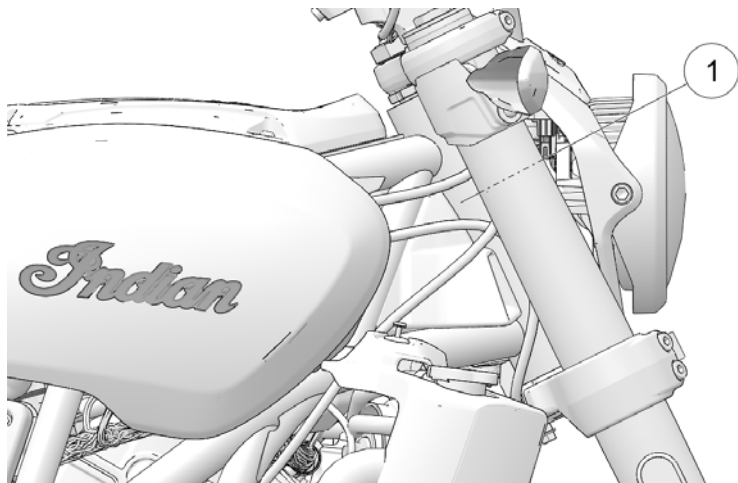
SAFETY

SAFETY AND INFORMATION LABELS

Labels are model-specific and market-specific. Your motorcycle may not contain all of the labels shown.

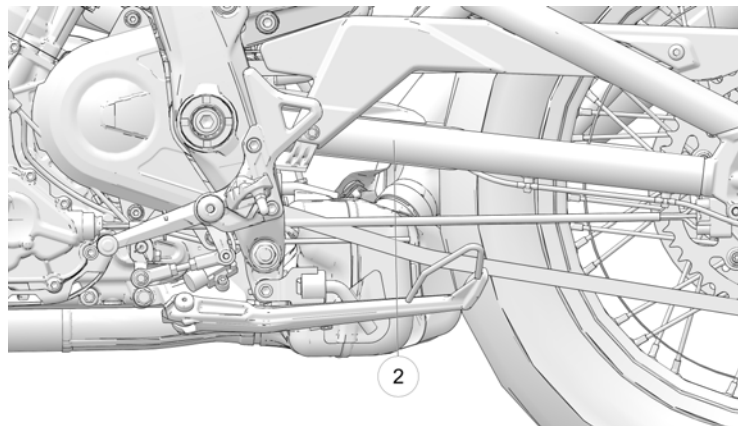
VEHICLE IDENTIFICATION NUMBER

The Vehicle Identification Number (VIN) is stamped on the right-hand side of the steering head ①, and printed on a VIN sticker located on the left-hand side of the steering head.



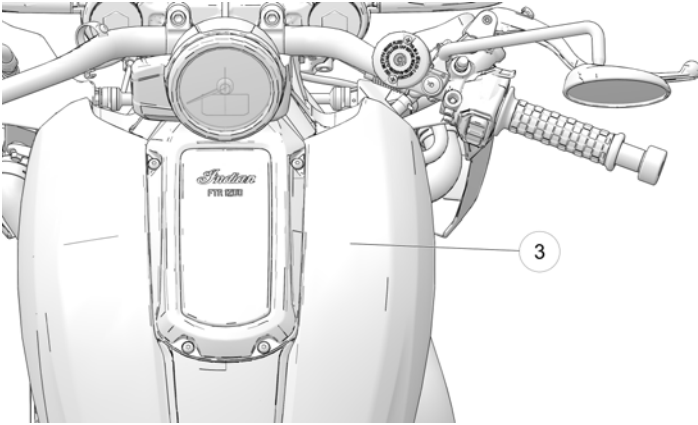
VEHICLE EMISSION INFORMATION

The Vehicle Emission Control Information (VECI) and Noise Emission Control Information (NECI) can be found on the emission information label. The label ② is located on the swing arm on the left-hand side of the vehicle.



OPERATOR WARNING/FUEL CAUTION

The Operator Warning/Fuel Caution is located on the right-hand side panel ③.



WARNING

- Read Owner's Manual and, during use, follow all safety precautions.
- Always wear an approved helmet, eye protection, and protective clothing.
- If your Owner's Manual is missing, contact an Indian Motorcycle dealer for a replacement.

CAUTION

Never overfill fuel tank. Fuel level should not rise into fill neck funnel. Overfilling may result in degraded performance of engine and evaporative emission control system.

FEATURES AND CONTROLS OVERVIEW



For the latest information about you INDIAN MOTORCYCLE Ride Command display, including software updates, please visit <https://ridecommand.indianmotorcycle.com>

NOTICE

Using the display for an extended period of time while the vehicle's engine is off can drain the battery.

⚠ WARNING

Do not enter information while operating your vehicle. Failure to pay attention to operating your vehicle could result in loss of control, injury, or death. You assume all risks associated with using this device. Read your User Guide.

⚠ WARNING

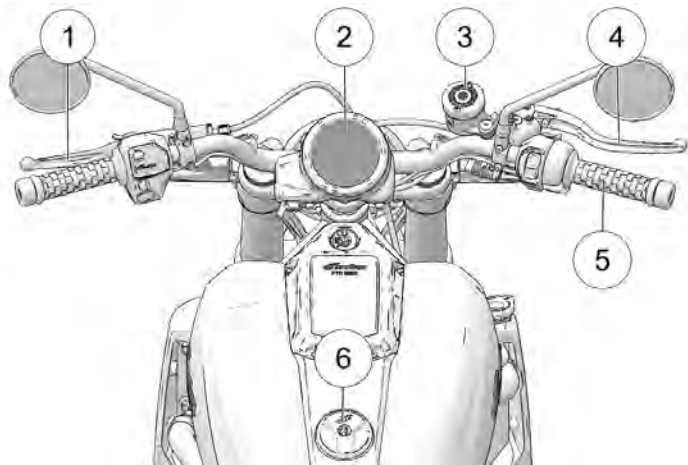
Driving while distracted can result in loss of vehicle control, crash, and injury. We strongly recommend that you use extreme caution when using any device that may take your focus off the road. Your primary responsibility is the safe operation of your vehicle. We recommend against the use of any hand-held device while driving and encourage the use of voice-operated systems when possible. Make sure you are aware of all applicable local laws that may affect the use of electronic devices while driving.

Before riding with your new display, do the following:

- Read this entire manual.
- Familiarize yourself with the features and operations of the display while the vehicle is stationary.
- Download the INDIAN MOTORCYCLE Ride Command app from the APPLE APP STORE® or Google Play® store and create your personalized account.
- Check <http://www.indianmotorcycle.com/en-us/owners-manuals> for the latest updates to the owner's manual.

CONSOLE

FTR / FTR RALLY (NORTH AMERICA ONLY)

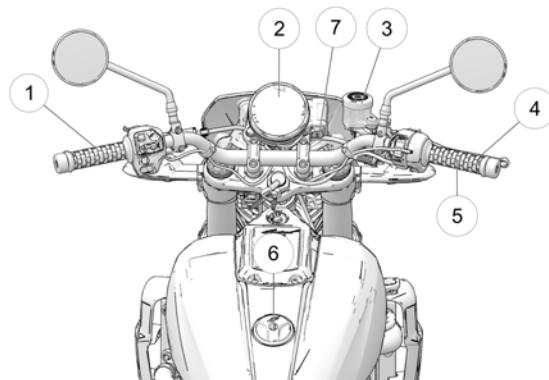


- ① Clutch Lever
- ② Instrument Cluster
- ③ Front Brake Master Cylinder Reservoir
- ④ Front Brake Lever
- ⑤ Electronic Throttle Control
- ⑥ Fuel Cap

FTR RALLY (INTERNATIONAL ONLY)






FTR SPORT






FTR R CARBON / FTR X 100% R CARBON



- ① Clutch Lever
- ② Instrument Cluster
- ③ Front Brake Master Cylinder Reservoir
- ④ Front Brake Lever
- ⑤ Electronic Throttle Control
- ⑥ Fuel Cap
- ⑦ USB

SWITCH SYMBOLS

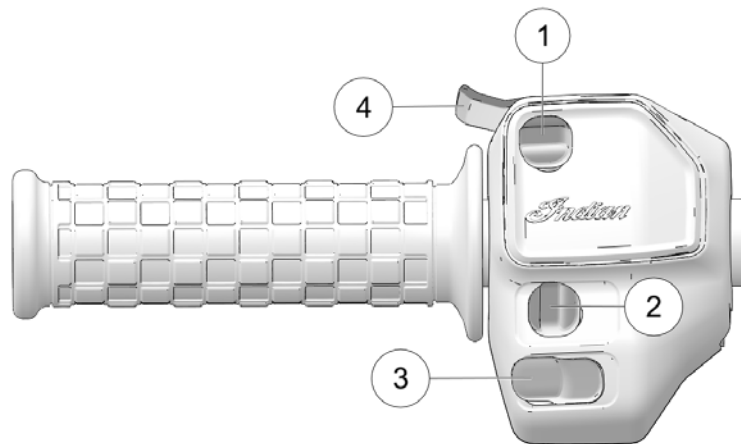
SYMBOL	SWITCH	DESCRIPTION
	Horn Switch	Press the horn switch to sound the horn. See page 29.
	High Headlight Beam Switch	The high headlight beam switch activates the high headlight beam. See page 30.
	Low Headlight Beam Switch	The low headlight beam switch activates the low headlight beam. Press down momentarily to activate Flash to Pass. See page 30.
	Turn Signal Switch	Move the switch to the left to activate the left turn signals. Move the switch to the right to activate the right turn signals. A signal will deactivate automatically when speed or distance reach predetermined levels. To cancel a signal manually, move the switch to the center position and push it inward. <i>Momentary Feature: Move the turn signal switch left or right and hold it in that position for at least one second. The momentary feature will activate and the signal will then cancel when the switch is released. See page 28.</i>
	Emergency Flasher Switch (Hazard Switch)	The hazard switch activates and cancels the emergency flashers. Press and hold on the center of the switch to activate emergency flashers. See page 28. To activate, move press

SYMBOL	SWITCH	DESCRIPTION
		and hold switch while in the center position until hazards activate. To cancel, press and release switch while in the center position.
	Screen List Select Switch	The Screen List Select Switch (if equipped) is used to navigate through rider screens.
	Back Switch (if equipped)	Use the back switch to back out of menus, decline dialog boxes.
	Stop Switch	Press the bottom of the switch (RUN) to allow the engine to start and run. Press the top of the switch (STOP) to stop the engine. See page 30.
	Starter Switch	Use the starter switch to start the engine. The engine stop/run switch must be in the RUN position. See page 30.
	Right-Hand Trigger Switch	On models equipped with analog gauge, use the right-hand trigger switch to cycle through the multi-function display. On models equipped with a Ride Command display, use the right-hand switch to navigate through menus.

FEATURES AND CONTROLS

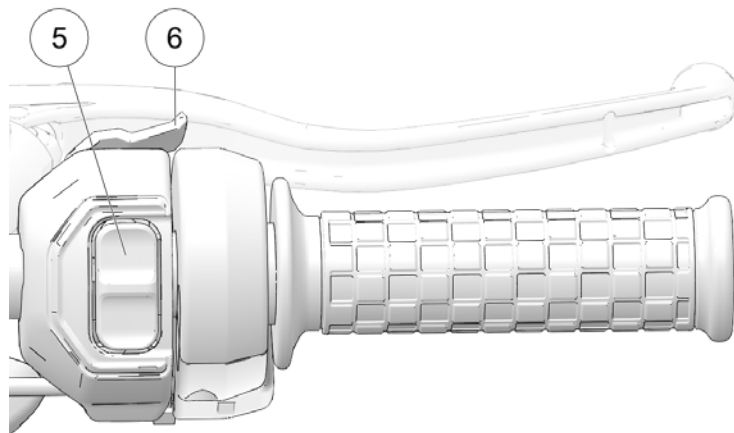
SWITCH LOCATIONS

LEFT CONTROL



- ① Cruise Control Switch
- ② Turn Signal/Hazard Signal
- ③ Horn Switch
- ④ High/Low Beam and Flash to Pass

RIGHT CONTROL



- ⑤ Engine Stop/Run/Start Switch
- ⑥ Right Trigger Switch

SWITCH FUNCTIONS

IGNITION/LIGHT KEY SWITCH

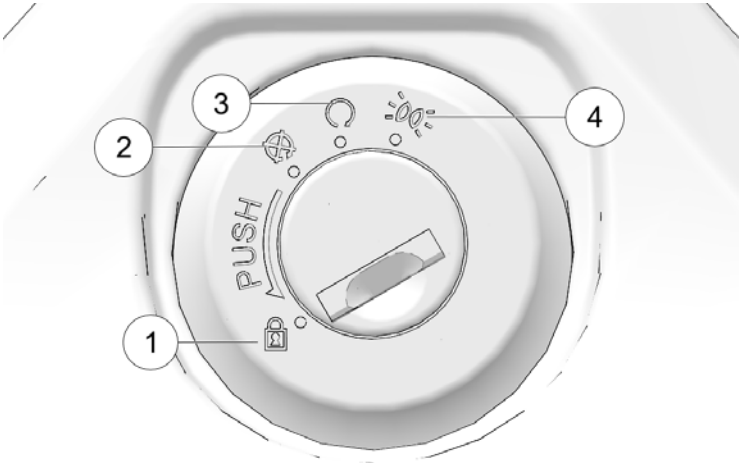
Motorcycle riders must remain as visible as possible at all times. To aid in this, the headlight must be on at all times while operating. The headlights automatically operate when the engine is running. Do not modify the ignition/light switch wiring to circumvent the automatic headlight feature.

The ignition/light key switch controls the electrical functions of the motorcycle. Before starting the engine, read the instructions for starting the engine. See page 74.

NOTICE

Turn the ignition switch to the OFF position, push the key into ignition while turning it to the LOCK position, and remove the ignition key when leaving the motorcycle unattended.

Push the key into the ignition switch while turning it to the PARK position. In PARK, the taillight, front position lamp, indicator lights, and license plate light illuminate. Vehicle powered accessories (if equipped) can be operated and the instrumentation is active. The ignition key can be removed.

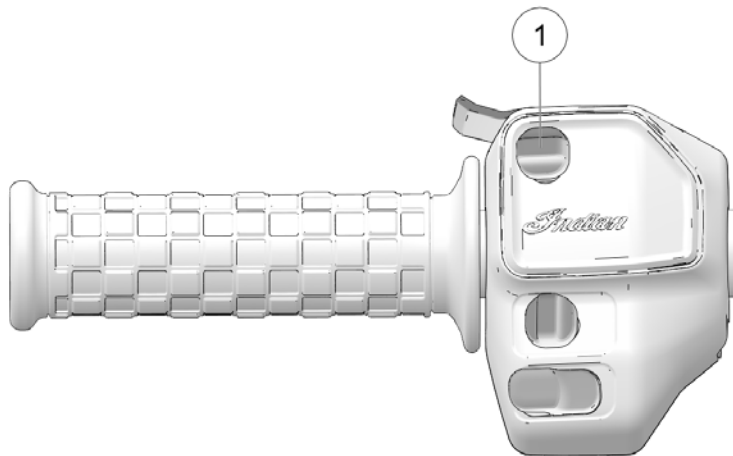


SYMBOL	DESCRIPTION
①	Steering Lock
②	OFF
③	RUN
④	PARK

FEATURES AND CONTROLS

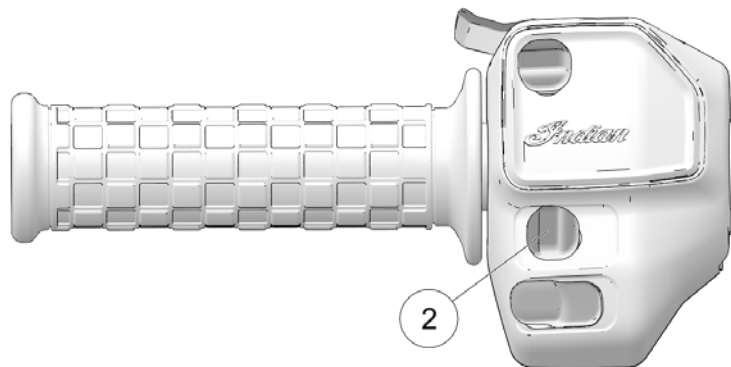
CRUISE CONTROL SWITCH

Cruise control can be activated and adjusted from the left hand control using the Cruise Control Switch ①.



Toggle Position	Function
Down	Set/Decelerate
Center	Off/On
Up	Resume/Accelerate

TURN SIGNAL/HAZARD SWITCH



TURN SIGNALS

To activate the turn signal, press the turn signal switch ② in the corresponding direction.

- Press switch to the right to activate the right turn signal.
- Press the switch again to cancel the right turn signal.
- Press switch to the left to activate the left turn signal.
- Press the switch again to cancel the left turn signal.

HAZARD SIGNAL

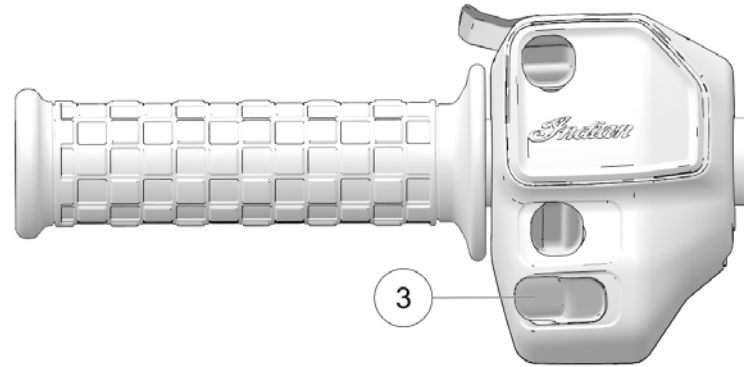
The ignition switch must be ON to activate the flashers, but once activated, the flashers will continue to flash when the ignition switch is turned to PARK. When the flashers are active, all four turn signals flash.

To activate the hazard signal, press on the center of the turn signal switch ②.

- Press and hold the switch to activate the flashers.
- Press the switch again to cancel the flashers.

HORN BUTTON

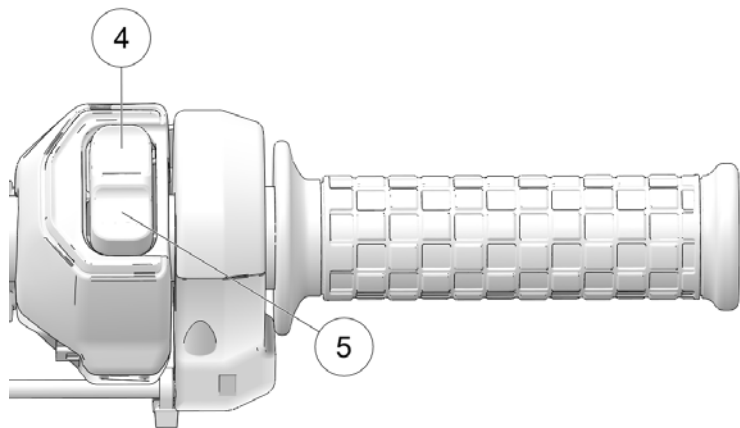
Press the horn switch ③ to sound the horn.



FEATURES AND CONTROLS

ENGINE STOP/RUN SWITCH

Use the engine stop/run switch to turn the engine off quickly. Turn the key off after the engine stops.



- Press the top of the rocker switch (STOP) ④ to turn the engine OFF.
- Press the bottom of the rocker switch (RUN) ⑤ to start and run the engine.

TIP

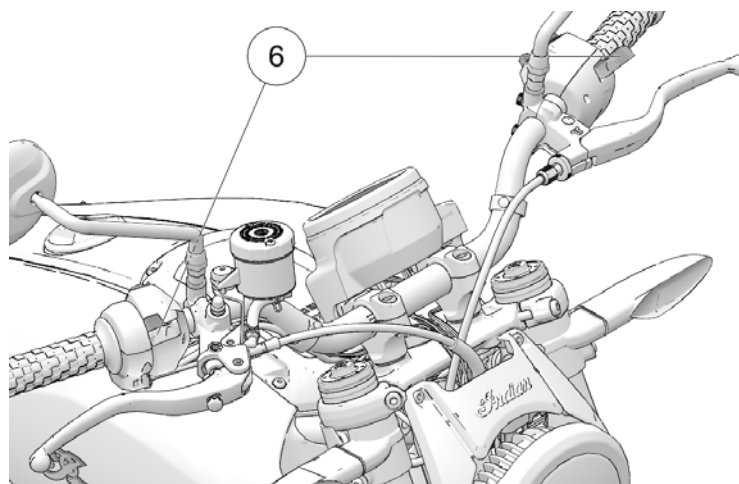
The headlight and any accessories plugged into power ports will remain on until the ignition key is turned to the off position.

TRIGGER SWITCHES

All models are equipped with trigger switches on the front side of the left and right handlebar controls ⑥.

NOTICE

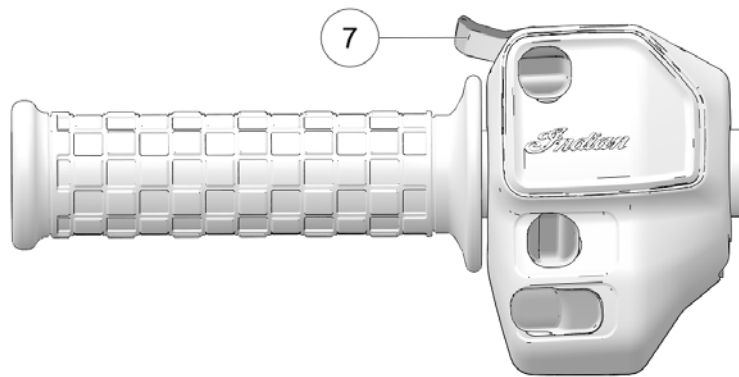
The ignition switch must be in the ON position for the trigger switches to function.



HIGH/LOW HEADLIGHT SWITCH

The headlights automatically come on when the engine is started.

The high/low headlight switch ⑦ toggles the headlight between high beam and low beam. To momentarily flash headlights (Flash to Pass), press and hold the left-hand trigger switch. To activate high beams for an extended period of time, push the trigger forward until it clicks into place. Pull the lever back to the neutral position to return to low beams.



RIGHT-HAND TRIGGER

On models equipped with analog gauge, use the right-hand trigger switch to cycle through the multi-function display. See page 33. On models equipped with a Ride Command display, use the right-hand switch to navigate through menus.

INSTRUMENT CLUSTER



The instrument cluster includes the speedometer, indicator lamps and multi-function display (MFD).







	DESCRIPTION
①	Speedometer
②	Indicator Lamps
③	Multi-Function Display (MFD)



FEATURES AND CONTROLS

SPEEDOMETER


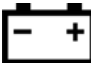
The speedometer displays forward vehicle speed in either miles per hour or kilometers per hour.


INDICATOR LAMPS

LAMP	INDICATES	CONDITION
	Chassis Fault	The alert symbol illuminates if a chassis fault occurs.
	Low Fuel	This lamp illuminates when 0.53 gal (2.0 L) of fuel remains in the tank.
	Neutral	This lamp illuminates when the transmission is in neutral.
	High Beam	The lamp illuminates when the headlight switch is set to high beam.
	Turn Signal	The turn signal indicators flash when the left, right, or both turn signals (hazard) are active. If there is a problem in the signal system, the lamps will flash at twice the normal rate.
	ABS Not Activated	The indicator remains on until the ABS activates, which occurs when vehicle speed exceeds 6 mph (10 km/h). When the lamp is illuminated, the anti-lock brakes will not activate, but the conventional brake system will continue to operate normally. The lamp will also illuminate if an ABS fault is detected.

LAMP	INDICATES	CONDITION
	Check Engine	<i>If this lamp illuminates while the engine is running, see your dealer promptly. The light will remain on if the tilt sensor shuts down the engine. If abnormal sensor or engine operation is detected the light will remain on as long as the fault condition exists. Retrieve the error codes for diagnosis. If a misfire is detected, the check engine lamp will begin to flash and fuel will be cut to the affected cylinder(s). See page 36.</i>
	Engine Overheat	The engine overheat light will illuminate when the engine temperature exceeds normal operating temperature.

MFD TELL-TALES

LAMP	INDICATES	CONDITION
	Low Oil Pressure	The Low Oil Pressure lamp illuminates when oil pressure drops below a safe operating pressure while the engine is running. If this lamp illuminates while the engine is running above idle speed, turn the engine off as soon as safely possible and check the oil level. <i>If the oil level is correct and the lamp remains on after the engine is restarted, turn the engine off immediately. See your dealer.</i>
	Battery Voltage	The Battery Voltage lamp illuminates if high or low battery voltage is detected, or if there is a charging system fault. Turn non-essential

LAMP	INDICATES	CONDITION
		accessories off to conserve power. Make sure the charging system is operating properly. See page 145.
MPH	Vehicle Speed	When standard mode is selected, speed displays in miles per hour.
km/h		When metric mode is selected, speed displays in kilometers per hour.
	Cruise Control Status	When the <i>Dial Icon</i> is visible, cruise control is enabled, but not set. The <i>Arrow Icon</i> becomes visible when cruise control is set to the desired speed. <i>Read the safety and operation procedures before using cruise control.</i> See page T9.

MULTI-FUNCTION DISPLAY MODES

With the ignition switch on, use the right-hand trigger switch to toggle through the modes of the multi-function display and to change settings in the display.

The following display modes are available:

- Odometer
- Trip Odometer
- Trip Odometer 2
- Engine Speed
- Gear Indicator
- Battery Voltage
- Engine Error Codes
- Average Fuel Economy
- Instant Fuel Economy
- Ambient Air Temperature

ODOMETER

The odometer displays total distance traveled.

TRIP ODOMETER

The trip odometer displays total distance traveled since being reset. To reset, toggle to the trip odometer, then press and hold the MODE button until the trip odometer resets to zero.

ENGINE SPEED

Engine speed displays in revolutions per minute (RPM).

GEAR INDICATOR

The vehicle’s current gear position is displayed on the MFD.

FEATURES AND CONTROLS

BATTERY VOLTAGE

Battery voltage displays real-time, regulated charge voltage supplied to the battery. The voltage level may fluctuate depending on electrical load and engine RPM.

AVERAGE FUEL ECONOMY

Average Fuel Economy displays the vehicle's average fuel economy as of the last time the mode was reset. To reset, press and hold the right hand trigger while viewing the fuel economy display.

INSTANTANEOUS FUEL ECONOMY

Instantaneous Fuel Economy displays the vehicle's current fuel economy at the moment the mode was selected.

AMBIENT AIR TEMPERATURE

The temperature area displays the temperature of the air immediately surrounding the motorcycle.

DISPLAY UNITS (STANDARD/METRIC)

The display can be changed to display either standard or metric units of measurement.

	STANDARD DISPLAY	METRIC DISPLAY
Distance	Miles	Kilometers
Temperature	Fahrenheit	Celsius
Time	12-Hour Clock	24-Hour Clock
Volume	Gallons	Imperial Gallons, Liters

1. Turn the ignition off.
2. Wait 10 seconds.
3. Press and *hold* the right-hand trigger switch while turning the key to the ON or PARK position.
4. When the display flashes the distance setting, tap the right-hand trigger switch to advance to the desired setting.
5. Press and *hold* the right-hand trigger switch to save the setting and advance to the next display option.
6. Repeat the procedure to change remaining display settings.

CLOCK

NOTICE

The clock must be reset any time the battery has been disconnected or discharged.

1. Use the right-hand trigger switch to toggle to the odometer display.
2. Press and *hold* the right-hand trigger switch until the hour segment flashes. Release the switch.
3. With the segment flashing, tap the right-hand trigger switch to advance to the desired setting.
4. Press and *hold* the right-hand trigger switch until the next segment flashes. Release the switch.
5. Repeat steps 3–4 twice to set the 10-minute and 1-minute segments. After completing the 1-minute segment, step 4 will save the new settings and exit the clock mode.

ENGINE ERROR CODES

The error screen displays only when the CHECK ENGINE light is on or when it goes on and off during one ignition cycle. Error codes display only during the current ignition cycle. When the ignition switch is turned OFF, the code and message is lost, but will reappear if the fault reoccurs after restarting the engine.

If the CHECK ENGINE indicator lamp illuminates, retrieve the error codes from the display.

1. If the error codes are not displayed, use the right-hand trigger switch to toggle until “Ck ENG” displays on the main line of the display.
2. Press and hold the right-hand trigger switch to enter the diagnostics code menu.
3. Record the three numbers displayed in the gear position, clock and odometer displays.
4. See an authorized dealer for code details and diagnosis.



- ① Error Code Number (0–9)
- ② Suspect Parameter Number (SPN)
- ③ Failure Mode Indicator (FMI)

FEATURES AND CONTROLS

DIAGNOSTIC FUNCTIONALITY

Certain conditions will cause the battery indicator to illuminate and an error message to display in the screen. If this occurs, please see your authorized dealer.

MESSAGE	LOCATION	INDICATES
LO	DC Voltage Screen	Voltage remains below 11.0 volts for more than 10 seconds
OV	DC Voltage Screen	Voltage remains above 15.0 volts for more than 10 seconds
ERROR	All	Checksum error (gauge malfunction)

OVER TEMPERATURE DISPLAY AND WARNING INDICATOR

Engine Over Temperature indicator lamp illuminates and the actual engine coolant temperature displays on the multi-function display (MFD) under the following conditions.

CONDITION	INDICATES	ACTION REQUIRED
Engine coolant temperature approaches unsafe operating condition while the engine is running.	Engine coolant temperature is above a safe operating temperature.	Stop the engine as soon as safely possible. Check the coolant level. Check the radiator for debris. Check cooling fan operation. If the warning continues to display after restarting the engine, stop the engine immediately.

MISFIRE DETECTION

If a misfire is detected, the check engine indicator lamp will begin to flash and fuel will be cut to the affected cylinder(s). The check engine indicator lamp will continue to flash until the ignition switch has been moved to the off position. Restarting the engine will clear the flashing indicator and restore fuel to both cylinders. If another misfire occurs, the check engine indicator lamp will resume flashing and fuel will once again be cut to the affected cylinder(s). After the 3rd misfire, P0314 misfire fault is determined and set, the check engine light will remain on and fuel will be cut to the affected cylinder(s). If this occurs, your INDIAN MOTORCYCLE dealer can assist.

REAR CYLINDER DEACTIVATION

Designed as an aid to reduce engine and exhaust heat to the rider, Rear Cylinder Deactivation shuts down the rear cylinder when the engine is at operating temperature and at idle speed.

The following condition must be met for Rear Cylinder Deactivation to be enabled.

- Engine coolant temperature must be above 176 °F (80 °C)
- Ambient Temperature must exceed 59 °F (15 °C)
- Engine speed must be below 2200 rpm
- Throttle must be in the closed position (0% throttle)

FOR MODELS EQUIPPED WITH RIDE COMMAND

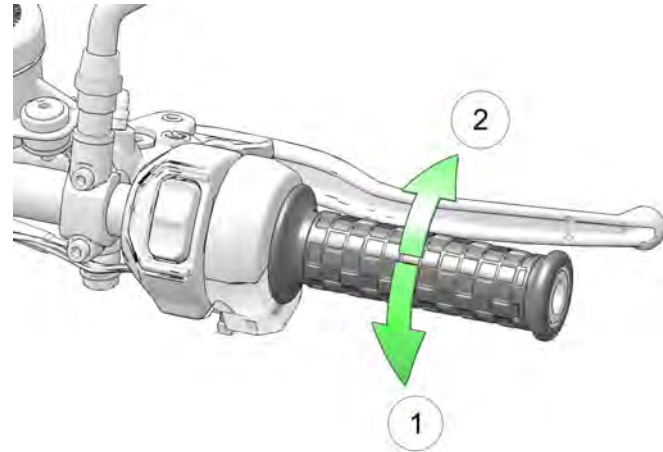
Rear Cylinder Deactivation can be turned on and off by accessing the settings menu. Cylinder Deactivation controls are in the Vehicle Settings menu. When Rear Cylinder Deactivation is functioning, an icon will illuminate at the right of the Ride Command display screen.



When the cylinder deactivation feature activates and the cylinder is deactivated, a “CylDeAc” message is shown on the MFD for 1 second. When the feature deactivates and the cylinder activates, a “CylAc” message is shown on the MFD for 1 second.

THROTTLE CONTROL GRIP

The throttle control grip is located on the right handlebar. Use the throttle control grip to control engine speed.



FOR MODELS NOT EQUIPPED WITH RIDE COMMAND

Perform the following procedure to enable or disable Rear Cylinder Deactivation:

1. Navigate to the ambient air temperature display mode on the multi-function display (MFD).
2. Long press the right-hand trigger until “CYLdeAC” displays.
3. Pressing the right-hand trigger will allow operator to toggle between “CD ON” or “CD OFF.”
4. Press and hold hand right-hand trigger to save settings.
 - CYLdeAC ON: rear cylinder can deactivate
 - CYLdeAC OFF: rear cylinder cannot deactivate

FEATURES AND CONTROLS

While seated in the proper riding position:

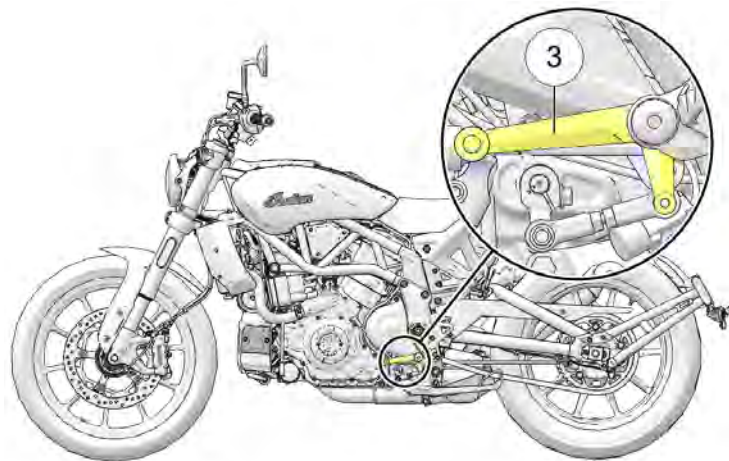
- Roll the grip rearward ① to open the throttle (increase engine speed and power).
- Roll the grip forward ② to close the throttle (decrease engine speed and power).
- Roll the grip forward, past idle position, to cancel cruise control.

The control grip is spring loaded. When you release the grip, the throttle returns to the idle position.

GEAR SHIFT LEVER

The gear shift lever ③ is located on the left side of the motorcycle. Operate the lever with your foot.

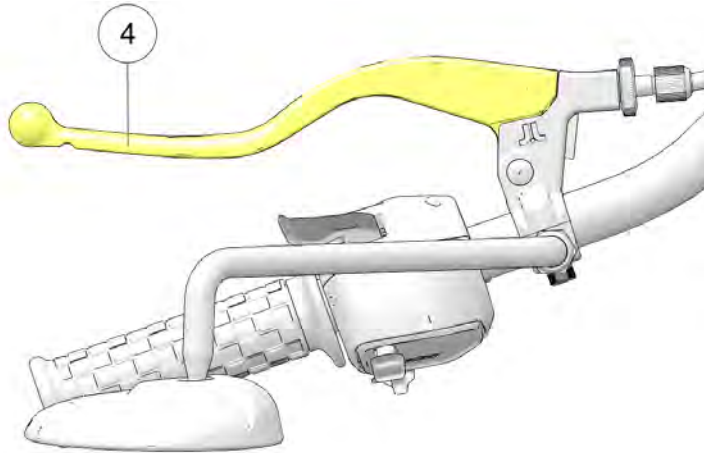
- Press downward on the toe lever to shift to a lower gear.
- Lift upward on the toe lever to shift to a higher gear.
- Release the lever after each gear shift.
- See page 75 for gear shifting procedures.



CLUTCH LEVER

The clutch lever ④ is located on the left handlebar. Disengage the clutch before shifting gears. For smooth clutch operation, pull the lever quickly and release it in a brisk but controlled manner.

- To disengage the clutch, pull the lever toward the handlebar.
- To engage the clutch, release the lever in a brisk but controlled manner.



To park the motorcycle, swing the end of the side-stand downward and away from the motorcycle until it is fully extended. Always turn the handlebars to the left for maximum stability. Lean the motorcycle to the left until the side-stand firmly supports the motorcycle.

⚠ CAUTION

If the motorcycle weight is not resting on the side-stand, it will not lock. In this situation, any movement of the motorcycle could cause the side stand to retract slightly. If the side-stand is not in the full forward position when the motorcycle weight is rested on it, the motorcycle could fall over, possibly causing personal injury and damage to the motorcycle.

To retract the side-stand, straddle the motorcycle and bring it to the fully upright position. Swing the end of the side-stand upward and toward the motorcycle until it is fully retracted.

See page 81 for parking instructions, including parking on slopes and soft surfaces.

⚠ WARNING

Do not sit on the motorcycle when it is supported on the side-stand.

SIDE-STAND

The FTR is equipped with a side-stand safety switch to prevent operation of the motorcycle if the side-stand is deployed.

⚠ WARNING

An improperly retracted side-stand could contact the ground and cause a loss of control resulting in serious injury or death. Always retract the side stand fully before operating the motorcycle.

FEATURES AND CONTROLS

FEELER PEGS

Your bike is equipped with small feeler pegs extending from the end of both footpegs to help protect against damage. Once either feeler peg has been eroded up to the hex portion, a replacement feeler peg is recommended.

WHEELIE MITIGATION

Wheelie mitigation is a feature that allows maximum acceleration while keeping the front wheel on or near the ground. The feature is active when the vehicle is in “Rain” or “Standard” ride modes, but not when the vehicle is in ‘Sport’ mode or the TC system is disabled.

NOTICE

The wheelie mitigation feature cannot prevent the front wheel from losing contact with the ground in all situations.

- If the wheelie mitigation feature is disabled and the front wheel loses contact with the road surface long enough to become stationary, a wheel speed sensor fault may be set.
- If a fault code is set, the TC system will become deactivated and the display will illuminate the MTC lights. If this occurs, a power cycle will be required to re-initialize the MTC system.

MIRRORS

Your vehicle is equipped with convex mirrors. Objects seen in a mirror may be closer than they appear. Always adjust mirrors before riding.

To adjust the mirrors, sit on the motorcycle in the anticipated riding position. Adjust the mirrors so that you can see a small portion of your shoulders in each mirror.

BRAKES

ANTI-LOCK BRAKE SYSTEM (ABS)

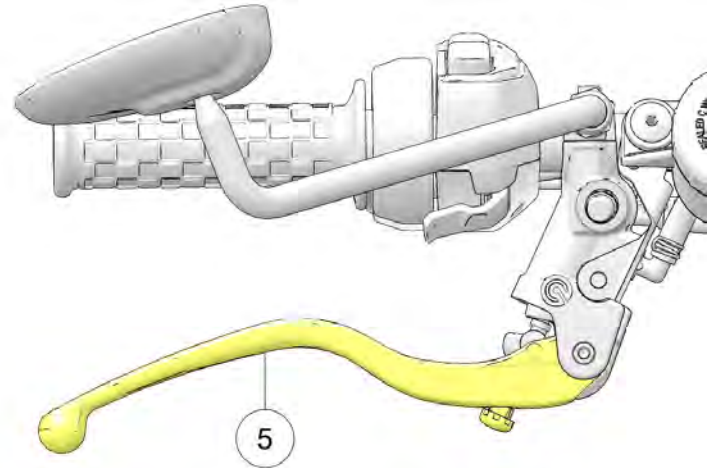
The anti-lock brake system automatically reduces brake pressure as needed to provide optimum braking control, reducing the chance of wheel lock-up during hard braking events or when braking on rough, uneven, slippery or loose surfaces. See the Safe Riding Practices starting page 11.

1. The ABS indicator always illuminates when vehicle power is turned on. It remains illuminated until the anti-lock system activates, which occurs when vehicle speed exceeds 6 mph (10 km/h).
2. When the lamp is illuminated, the anti-lock brakes will not activate, but the conventional brake system will continue to operate normally.
3. When the anti-lock brakes engage during a braking event, the rider will feel pulsing at the brake levers. *Continue to apply steady pressure to the brakes for the best stopping performance.*
4. If the ABS light does not come on when the key is turned to the ON or PARK position, see your authorized INDIAN MOTORCYCLE dealer for service.

- If the lamp continues to illuminate after vehicle speed exceeds 6 mph (10 km/h), the ABS system is not functioning. See your INDIAN MOTORCYCLE dealer promptly for service.
- Operating with non-recommended tires or improper tire pressure may reduce the effectiveness of the anti-lock brake system. Always use the recommended size and type of tires specified for your vehicle. Always maintain the recommended tire pressure.
- The anti-lock brake system will not prevent wheel lockup, loss of traction or loss of control *under all conditions*. Always adhere to all safe motorcycle-riding practices as recommended.
- It is not unusual to leave tire marks on the road surface during a hard braking event.
- The anti-lock brake system does not compensate for or reduce the risks associated with:
 - excessive speed
 - reduced traction on rough, uneven or loose surfaces
 - poor judgment
 - improper operation

FRONT BRAKE LEVER

The front brake lever ⑤ is located on the right handlebar. This lever controls only the front brakes. The front brakes should be applied simultaneously with the rear brakes. To apply the front brake, pull the lever toward the handlebar. See page 78 for braking procedures.



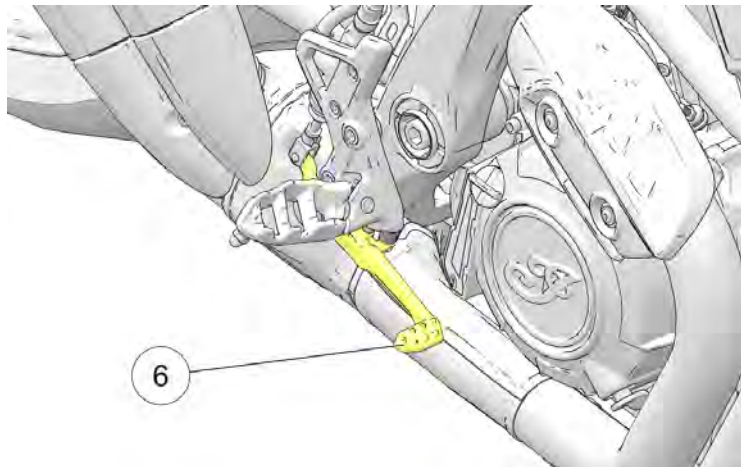
FEATURES AND CONTROLS

REAR BRAKE PEDAL

WARNING

Resting your foot on the brake pedal will cause excessive and premature wear of brake pads and reduced braking efficiency, which could result in serious injury or death.

The rear brake pedal ⑥ is located on the right side of the motorcycle. Press downward on the rear brake pedal to apply the rear brake. See page 78 for braking procedures.



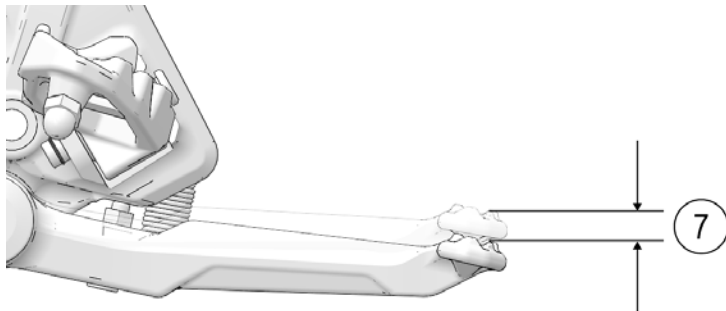
REAR BRAKE PEDAL FREEPLAY

WARNING

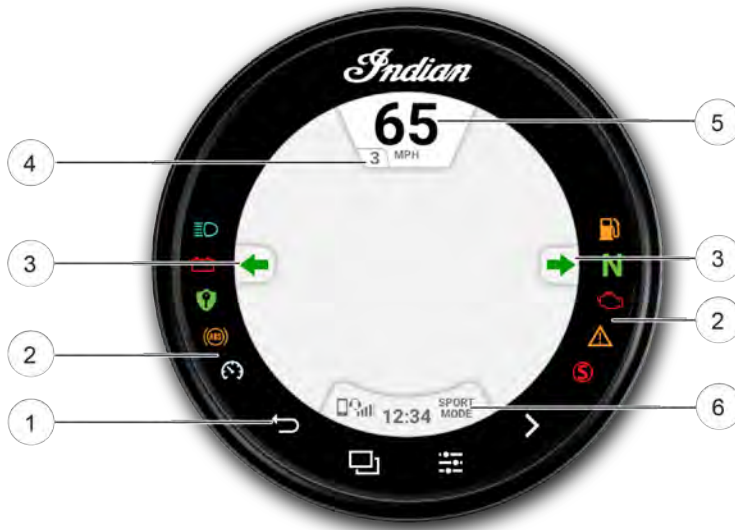
Free travel must be present on the brake pedal lever or pressure could build up in the rear brake system causing overheating and failure. The brake pedal free travel ⑦ is adjusted at the factory and must always be set in accordance with the specification. Changing this adjustment could cause brake damage or failure. If adjustments are needed, see your dealer.

MEASUREMENT

Free travel at brake lever peg:
.019–.276 in (3–7 mm)



RIDE COMMAND (IF EQUIPPED) OVERVIEW



① Touchscreen Buttons

② Indicator Lamps

③ Turn Signal Indicators

④ Current Gear

⑤ Speedometer

⑥ Icon Bar

BEFORE YOU RIDE

Before riding with your new display, do the following:

- Read this entire manual.
- Familiarize yourself with the features and operations of the Display while the vehicle is stationary.
- Download the INDIAN MOTORCYCLE Ride Command App from the APPLE APP STORE®/Google Play® store and create your personalized account.
- Check your display to ensure you have the appropriate maps visible for your area. To change or update maps, see the *Ride Command Quickstart Guide*.
- Check <https://www.indianmotorcycle.com/en-us/owners-manuals/> for the latest updates to the owner's manual.

NOTICE

Using the display for an extended period of time while the vehicle's engine is off can drain the battery.

RIDE COMMAND (IF EQUIPPED)

DEVICE OPERATING REQUIREMENTS

Phone functionality is dependent on the capabilities of your cell phone.

NOTICE

Some cell phones or operating systems will not work as shown in this manual.

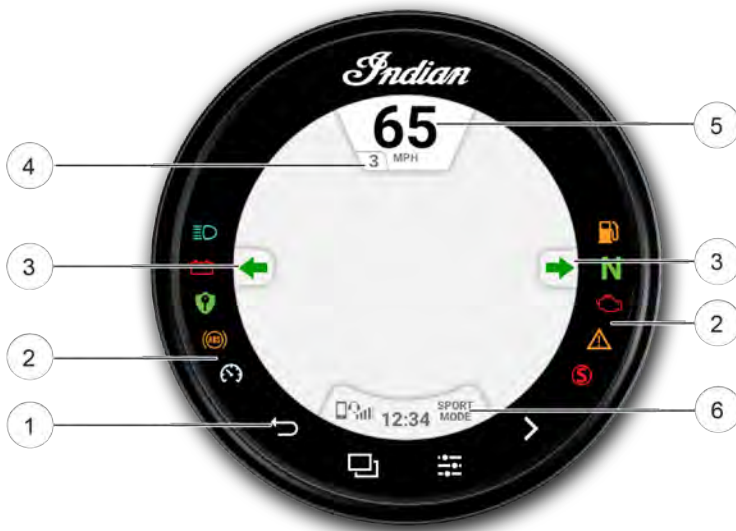
CARE AND MAINTENANCE

To clean the display shell, use a soft cloth with mild soap and water. Do not use harsh or abrasive cleaners. For best results, use a micro-fiber towel to clean the screen. Window cleaner or alcohol may also be used.

NOTICE

Immediately clean off any gasoline that splashes onto the display.





GETTING STARTED OVERVIEW



- ① Touchscreen Buttons
- ② Indicator Lamps
- ③ Turn Signal Indicators

- ④ Current Gear
- ⑤ Speedometer
- ⑥ Icon Bar

RIDE COMMAND BUTTONS

BUTTON	FUNCTION
<p>Screen Cycle</p> 	<p>Press the Screen Cycle button to toggle through available display screens.</p>
<p>Controls</p> 	<p>Press the Controls button to access vehicle and display settings.</p>
<p>App Tray</p> 	<p>Press the App Tray button to access the Settings and Phone screens.</p>
<p>Back</p> 	<p>Press the Back button to back out of menu screens.</p>

ICON BAR

The Icon Bar displays information, such as cell signal strength, current ride mode, and more.



- ① Headset Connection
- ② Cruise Control
- ③ Cell Signal Strength
- ④ Clock
- ⑤ Ride Mode

RIDE COMMAND (IF EQUIPPED)

DISPLAY SCREENS

Press the Screen Cycle button ①, or the trigger switch on the left hand control, to cycle through the available display screens.



DISPLAY SCREENS	FUNCTION
Gauge Screen	Displays important information, such as speedometer, tachometer, gear, vehicle direction, ambient temperature, odometer, and fuel level.
Bike Information	Displays bike information, such as ambient temperature, battery voltage, tire pressure, fuel economy, and fuel range.
Ride Information	Displays ride information, such as ride time, distance, elevation, and trip odometer.
Maps and Navigation	Provides access to maps and turn-by-turn navigation.
Audio	Select audio source and control audio playback.
Controls	Select ride mode and change display brightness.

BIKE INFORMATION

The Bike Information screen displays important information about your vehicle.



① Ambient Temperature

③ Battery Voltage

② Engine Temperature

④ Fuel Range

RIDE COMMAND (IF EQUIPPED)

RIDE INFORMATION

The Ride Information screen displays important ride information, such as your current ride time, total distance traveled, and more.



- ① Ride Time
- ② Time Moving/Stopped
- ③ Reset Trip Odometer
- ④ More Information

- ⑤ Distance Traveled
- ⑥ Current Elevation
- ⑦ Select Trip Meter

MAPS AND NAVIGATION

The Maps and Navigation screen allows access to Ride Command's many navigation features. From the maps and navigations screen you can find directions, look up addresses, search for gas stations, and pinpoint other points of interest. Once selected, the display will provide turn-by-turn directions to your destination.



MUSIC

The Music screen allows you to access music stored on your smart-phone or other music device. You can pair your device using Bluetooth®, or by connecting it to the display's USB port.



- ① Select Source
- ② Track Information
- ③ Track Length
- ④ Repeat Track

- ⑤ Menu
- ⑥ Track Control
- ⑦ Shuffle

RIDE COMMAND (IF EQUIPPED)

CONTROLS

From the Controls screen you can select your ride mode and adjust the display brightness.



- 1 Close
- 2 Ride Mode
- 3 Display Brightness
- 4 Traction Control

APP TRAY

Press the App Tray hard button ① to cycle through the available app screens.



SETTINGS

From the Settings Menu you can view important details about your vehicle and personalize your touchscreen display. The settings menu is comprised of four categories: Information, General, Time, and Vehicle.

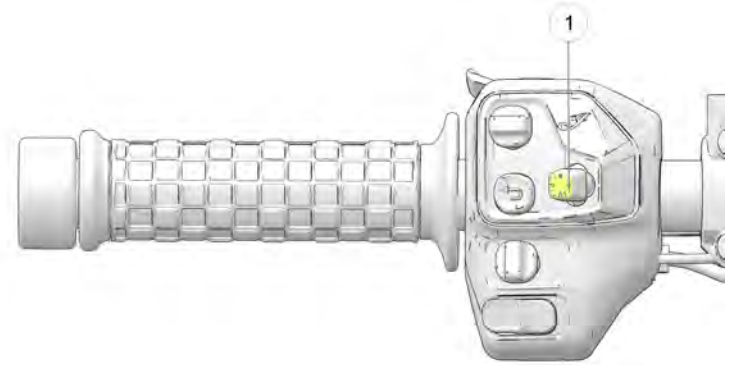
PHONE

If the Ride Command display is connected to a phone using Bluetooth®, the Phone screen will be available from the App Tray. From the phone screen you can make and answer calls, and view text messages.



RIDE COMMAND HAND CONTROLS

5-WAY TOGGLE



Press and hold the 5-way toggle up/down/left or right to bring up the media control overlay.

When the media overlay is visible on the screen, use the 5-way toggle to control feedback.

- Press left/right to navigate tracks
- Press up/down control the volume
- Press center to mute/unmute

RIDE COMMAND (IF EQUIPPED)

RIDE COMMAND RIDE MODES

You can choose between three ride modes, Tour, Standard, or Rain for an experience customized to your riding style.

The throttle map for each ride mode was designed with a specific application in mind, resulting in one motorcycle with three distinct personalities.



NOTICE

For the ride mode to change the throttle must be fully disengaged. If you change the ride mode while the throttle is engaged, a spinning icon will appear indicating that the ride mode has not yet changed. Once the throttle is disengaged the icon will disappear and the ride mode will change.

RAIN

Rain mode provides a smoother throttle response ideal for riding when conditions are wet.

STANDARD

Standard mode features a crisp throttle response and well-balanced power delivery for responsive passing power and predictable, slow-speed handling.

SPORT

Sport mode is designed for situations when instant response is needed. Sport mode quickens the throttle response and has a more aggressive power delivery for increased acceleration.

SETTINGS

From the Settings Menu you can view important details about your vehicle and personalize your touchscreen display.

The settings menu is comprised of four categories: Information, General, Time, and Vehicle.



INFORMATION

From the Information settings menu you can view the following:

- Vehicle Identification Number (VIN)
- Mileage
- Installed Software Version
- Oil Change Interval

GENERAL SETTINGS

From the General settings menu you can do the following:

- Themes (Day/Night/Auto)
- Manage Bluetooth® Devices
- Change the Language
- Set the Speed Units of Measure (MPH or KPH)
- Set the Temperature Units (F or C)
- Update Software

TIME

From the Time Settings you can do the following:

- Set the Time Format (12 hour or 24 hour)
- Enable GPS Time (automatically sets the time to the time zone you are currently in)
- Set Time (if GPS Time is not enabled)

NOTICE

The clock is sourced from the GPS chip and periodically requires GPS lock to function correctly.

NOTICE

Clock reading will be non-existent or inaccurate after disconnecting battery and will require a new GPS sync to function properly.

RIDE COMMAND (IF EQUIPPED)

VEHICLE

From the Vehicle Settings you can do the following:

- Oil Life/ Service Reset
- Access Vehicle Diagnostics

BLUETOOTH® PAIRING

The INDIAN MOTORCYCLE Ride Command touchscreen display can be connected to a smart-phone and a headset simultaneously.

NOTICE

Always pair the smart-phone first, followed by accessories.

To pair a device, do the following:

1. From the Bluetooth® Devices settings screen, the Phone screen, or the Music screen, tap on the Add Device button to bring up the pairing prompt.
2. Put your Bluetooth® device into pairing mode.
3. Select the name of the device you want to pair from the touchscreen display to finish the pairing process.
4. Confirm pairing (if applicable). Depending on the device you are pairing to the display you may be prompted to confirm pairing.

CONNECTED SERVICES

Certain INDIAN MOTORCYCLE Ride Command equipped models include connected services, provided for a limited time starting on the date of purchase. The features include real time traffic, weather, and enhanced destination search capabilities. To check your connected service status and to renew, go to:
<http://ridecommand.indianmotorcycle.com>.

UPDATE SOFTWARE

For the latest software for INDIAN MOTORCYCLE Ride Command, go to:
<https://ridecommand.indianmotorcycle.com>.

The display software can be updated by connecting a USB stick containing the latest software version to the USB port located on the right side of the display. The Update Software menu in Settings will list any available updates on the USB stick. Choose the correct version and wait for the update to complete before removing the USB stick. The touchscreen display will automatically restart when software is updated.

NOTICE

For software updates, a 1GB or larger USB 2.0 or USB 3.0 flash drive formatted to exFAT® is required. The display will not recognize flash drives that do not meet these requirements.

IMPORTANT

Do not remove power from the display during the update process.

UPDATE MAPS

For the latest maps for INDIAN MOTORCYCLE Ride Command, go to:
<https://ridecommand.indianmotorcycle.com>.

NOTICE

The display will automatically restart after a software and map update.

NOTICE

For map updates, a 32GB or larger USB drive formatted to exFAT® is required.

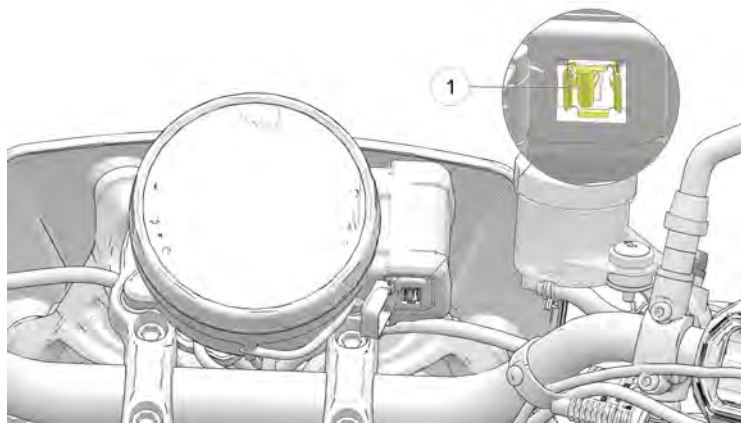
RIDE COMMAND (IF EQUIPPED)

USB PORT

The USB Port ① makes it easy to power devices, such as phones, audio sources, or GPS units, in addition to allowing you to stream music through the LCD display to your Bluetooth® headset. On models equipped with a INDIAN MOTORCYCLE Ride Command display, the USB port is also used to update the display software. For the latest software, go to <https://ridecommand.indianmotorcycle.com>.

IMPORTANT

Due to harsh riding environments, INDIAN MOTORCYCLE recommends using a USB device with retention features.



PRE-RIDE INSPECTIONS OVERVIEW

To keep your motorcycle in safe operating condition, always perform the recommended pre-ride inspections before each ride. This is especially important before making a long trip and when removing the motorcycle from storage.

WARNING

Failure to perform the recommended pre-ride inspections could result in component failure while riding, which could result in serious injury or death. Always perform the pre-ride inspections before each ride. When inspection reveals the need for adjustment, replacement or repair, perform the service promptly, or see your authorized INDIAN MOTORCYCLE dealer or other qualified dealer for service.

WARNING

Read the entire Instruments, Features and Controls section of this manual before riding your motorcycle. A complete understanding of the features and capabilities of your motorcycle is essential to its safe operation. Anything less may result in serious injury or death.

You must be familiar with all instruments and controls to perform the pre-ride inspections.

NOTICE

During the pre-ride inspections you may use products that are potentially hazardous, such as oil or brake fluid. When using any of these products, always follow the instructions and warnings on the product packaging.

When inspections reveal the need for adjustment, replacement or repair:

- refer to the maintenance section of this manual
- refer to the INDIAN MOTORCYCLE Service Manual
- or see your authorized INDIAN MOTORCYCLE dealer or other qualified dealer

PRE-RIDE INSPECTIONS

ELECTRICAL INSPECTIONS

Turn the ignition key to the ON position and move the stop/run switch to RUN before performing the following electrical inspections. Return the ignition key to the OFF position after completing these inspections. If inspection of any electrical item reveals component failure, repair or replace the component before operating the motorcycle.

ITEM	INSPECTION PROCEDURE
Headlight	Start engine to activate headlights. Once headlamp illuminates, switch to high beam. Verify that the high beam indicator comes on and that lamp brightness increases.
Taillight/Bra- kelight	Verify that the taillight and license plate light illuminate. Verify that the taillight lamps increase in brightness when the front brake lever is applied and also when the rear brake pedal is applied.
Turn Signals	Move the turn signal switch to the left. Verify that front and rear left turn signals flash, as well as the corresponding light on the indicator panel. Move the switch to the center position and push it inward to cancel the signal. Verify that the signals and the indicator light stop flashing. Repeat the procedure for the right turn signals.

ITEM	INSPECTION PROCEDURE
Hazard Warning Flashers	Press and hold the hazard warning flashers switch for 1-2 seconds to activate the hazard warning flashers. Verify that all four turn signals flash, as well as the lamps on the indicator panel. Turn the hazard warning flashers off. Verify that all signals and indicator lamps stop flashing.
Horn	Press the horn switch. Verify that the horn sounds loudly.
Neutral Indicator	Place the transmission in neutral. Verify that the neutral indicator lamp illuminates and that the letter "N" displays in the gear position display.
Low Oil Pressure Indicator	Start the engine. Verify that the low oil pressure indicator is not illuminated.
Engine Stop/Run Switch	Start the engine. Move the stop/run switch to the STOP position. Verify that the engine stops.

GENERAL INSPECTIONS

ITEM	INSPECTION PROCEDURE
Engine Oil	Check the oil level.
Fuel	Check the fuel level
Coolant Level	Check the coolant level in the recovery bottle.
Fluid Leaks	Check the vehicle and the ground/floor for any fuel, oil, coolant or hydraulic fluid leaks.
Tires	Inspect condition, pressure and tread depth.
Brake Operation	Inspect pedal and lever movement.
Brake Fluid Levels	Check front and rear brake fluid levels.
Brake Components	Inspect hoses and connections.
Throttle	Inspect hand grip and throttle movement.
Clutch	Check lever operation and freeplay.
Front Suspension	Check for leaks, debris and damage.
Steering	Check for smooth operation by turning handlebars full left and full right.

ITEM	INSPECTION PROCEDURE
Rear Suspension	Check mounting and inspect for leaks.
Rear Drive Chain	Check for wear or damage.
Side Stand	Verify smooth operation, inspect pivot bolt and spring.
Fasteners	Inspect for loose, damaged or missing fasteners.
Mirrors	Adjust for proper rear view.
Heat Shields	Ensure all exhaust heat-shields are present and in good condition.

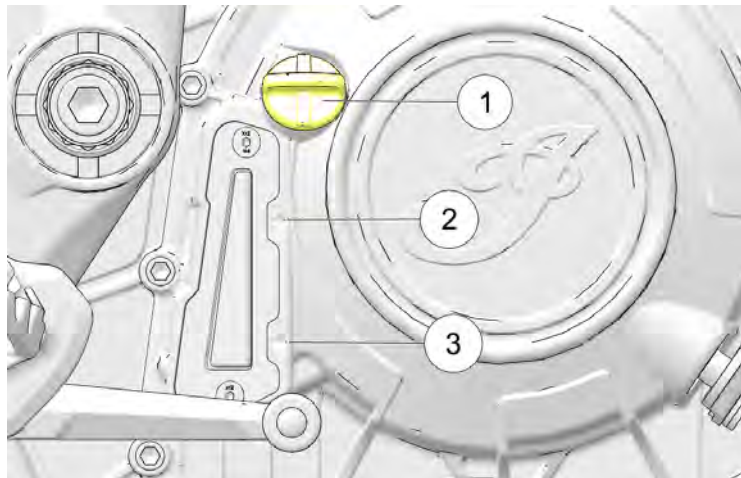
PRE-RIDE INSPECTIONS

ENGINE OIL LEVEL CHECK

Due to the semi-dry sump lubrication system, the engine oil level shown in the sight glass will fluctuate with movement of the motorcycle from a vertical position and with the temperature of the oil. To get an accurate oil level reading follow all inspection procedures closely.

IMPORTANT

Engine **MUST BE AT OPERATING TEMPERATURE** when checking oil level. Check oil after riding or after idling a cold engine for 5-10 minutes.



1. With the motorcycle in an upright (vertical) position, let the warm engine idle for 30 seconds.
2. Stop engine.
3. Place the machine on a level area and hold it in an upright (centered) position.
4. Inspect the oil level by looking at the oil sight glass. The oil level should be in the middle of the sight glass between the **FULL** ② and **ADD** ③ marks.
5. Do not overfill. The appropriate volume of oil should be in the middle of the sight glass. If oil level is low, remove engine oil fill plug ① and add Indian Motorcycle 15W-60 Full Synthetic engine oil. Repeat steps 1- 4 until the reading is within the safe operation range.


CAUTION

Oil level will **NOT** be accurate if checked on a cold engine. **DO NOT ADD** oil to raise level to middle of sight glass on a cold engine, as this can result in overfilling.

NOTICE

Do not overfill! The correct approximate volume is in the middle of the sight glass between the **FULL** and **ADD** marks.


TIRES

 **WARNING**

Operating the motorcycle with incorrect tires, incorrect tire pressure or excessively worn tires could cause loss of control or serious injury. Underinflation can cause a tire to overheat and result in a tire failure. Only use tires approved by INDIAN MOTORCYCLE for the model of the motorcycle. See your dealer. Use of unapproved or an improperly mixed front and rear tire can result in decreased handling performance and stability, potentially leading to reduced control of the motorcycle. Always maintain proper tire pressure as recommended in the rider’s manual and on safety labels.

TIRE PRESSURE

Always check and adjust tire pressure when tires are cold. Do not adjust tire pressure immediately after riding. Wait at least 3 hours after riding to check pressure. If pressure checked and adjusted while tires are warm, the pressure will drop as tires cool and result in under inflation.

 **WARNING**

Do not exceed the maximum recommended inflation pressure to seat the bead. Tire or rim failure may result causing serious injury or death.

MODEL	LOCATION	BRAND/TYPER/SIZE	RECOM-MENDED PRESSURE
FTR Rally	Front	Pirelli® Scorpion® Rally STR 120/70 R19 60V	36 psi (248 kPa)
	Rear	Pirelli® Scorpion® Rally STR 150/70 R18 70V	40 psi (276 kPa)
FTR FTR Sport	Front	Metzeler® Sportec® M9 RR 120/70 ZR17 58W	36 psi (248 kPa)
	Rear	Metzeler® Sportec® M9 RR 180/55 ZR17 73W	40 psi (276 kPa)
FTR R Carbon FTR X 100% R Carbon	Front	Metzeler® Sportec® M9 RR 120/70 ZR17 58W	36 psi (248 kPa)
	Rear	Metzeler® Sportec® M9 RR 180/55 ZR17 73W	40 psi (276 kPa)

PRE-RIDE INSPECTIONS

TIRE CONDITION

Inspect the tire sidewalls, road contact surface and tread base. If inspection reveals cuts, punctures, cracks or other wear or damage, replace the tire before riding. Only use tires approved by INDIAN MOTORCYCLE for the model of the motorcycle. See your dealer for more information. Use of unapproved or an improperly mixed front and rear tire can result in decreased handling performance and stability, potentially leading to reduced control of the motorcycle.

TIRE TREAD DEPTH

Measure the tread depth near the center of the tread on both tires. See page 131. Replace any tire with a tread depth of less than 1/16 in (1.6 mm).

BRAKE FLUID LEVEL INSPECTION

IMPORTANT

The brake fluid level in the reservoir will go down as brake pads wear. If you notice a sudden lowering of the brake fluid level, inspect brake pads for wear and brake system for leaks.

NOTICE

When installing new brake pads, fill the reservoir to the MAX mark. This reservoir can be used as a wear indicator, as the pads wear out, the level will decrease. When it is close to or at the MIN mark, inspect brake pads and replace if necessary. While this can be used as a indicator, the BEST way to inspect brake wear is to inspect the pads themselves.

FRONT BRAKE FLUID INSPECTION

1. Turn handlebars or adjust the motorcycle until top of reservoir is level.



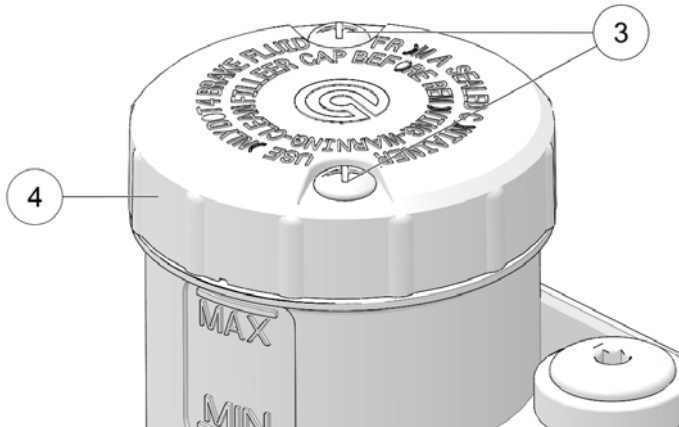
2. View front brake fluid level through the fluid reservoir. The fluid should be clear and between the MIN ① and MAX ② markings.
3. Wipe area around reservoir cover with a clean cloth.

4. Wipe brake fluid container with a clean cloth.

⚠ CAUTION

Brake fluid can damage painted components.

5. Remove screws ③, reservoir cover ④.



6. Carefully add enough DOT 4 brake fluid to bring level to between the MIN ① and MAX ② markings. Always add brake fluid from a new, unopened container.
7. Reinstall reservoir cover and torque screws to specification.

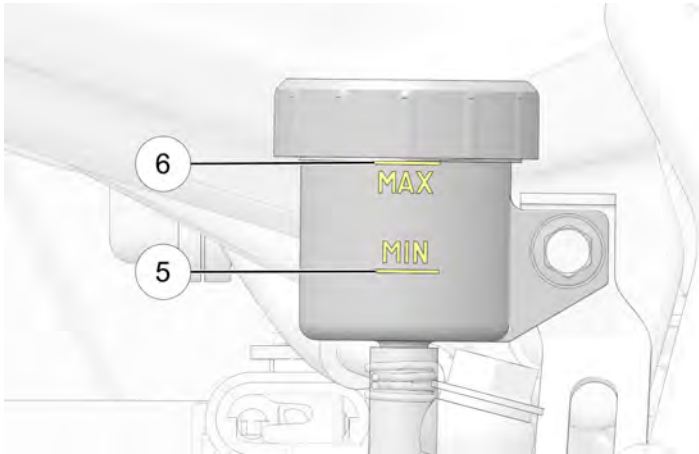
TORQUE

Front Master Cylinder Cap Screws:
13 in-lbs (1.4 N·m)

PRE-RIDE INSPECTIONS

REAR BRAKE FLUID INSPECTION

1. Fluid level is checked at the rear brake master cylinder reservoir.
2. Ensure vehicle is upright, then view fluid level through the fluid reservoir. The fluid should be clear and between the MIN ⑤ and MAX ⑥ markings.



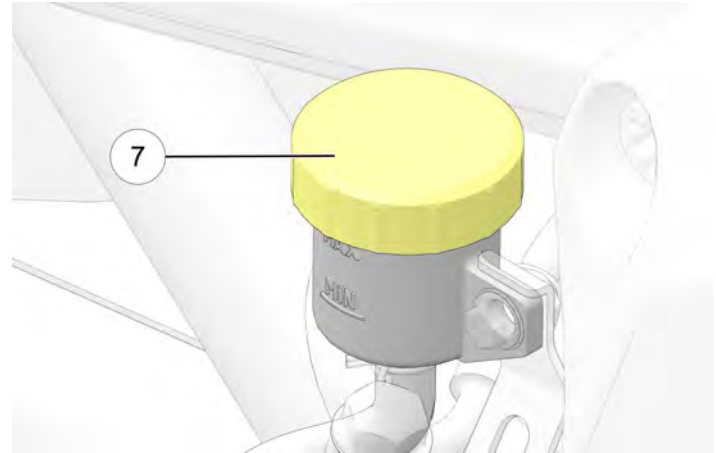
3. Wipe area around reservoir cover with a clean cloth.

4. Wipe brake fluid container with a clean cloth.



Brake fluid can damage painted components.

5. Remove reservoir cover ⑦.



6. Carefully add enough DOT 4 brake fluid to bring level to between the MIN ⑤ and MAX ⑥ markings. Always add brake fluid from a new, unopened container.
7. Install diaphragm and cover.

FRONT BRAKE LEVER

1. Pull the front brake lever toward the handlebar and hold it. The lever should move freely and smoothly. The lever should feel firm and continue to feel firm until released.
2. Release the lever. It should return to its rest position quickly when released.
3. If the front brake lever fails to perform as stated, service the brake lever before riding.

REAR BRAKE PEDAL

1. Press downward on the rear brake pedal. It should move freely and smoothly. The pedal should feel firm and continue to feel firm until released.
2. Release the pedal. It should return to its rest position quickly when released.
3. If the rear brake pedal fails to perform as stated or travels too far before beginning to engage the brake, service the brakes before riding.

BRAKE LINES

Inspect all brake hoses and connections for dampness or stains from leaking or dried fluid. Tighten any leaking connections to the proper torque values and replace components as necessary. See the *INDIAN MOTORCYCLE Service Manual* or an authorized INDIAN MOTORCYCLE dealer or other qualified dealer.

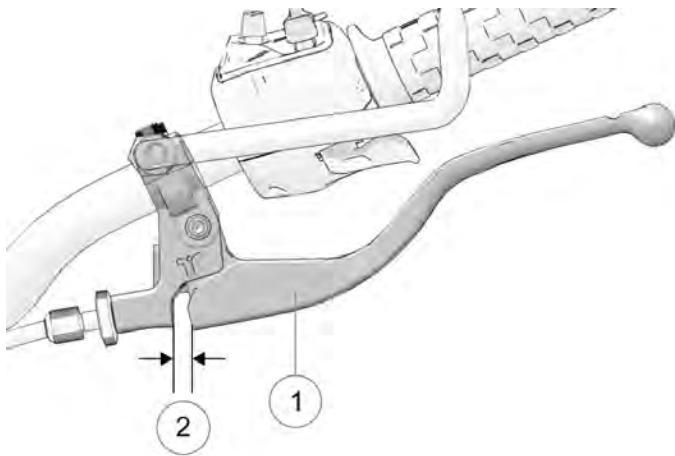
 **WARNING**

Brake fluid leaks or low brake fluid levels could cause brake system failure, which could result in serious injury or death. Do not operate the vehicle with low brake fluid levels or when leaks are evident (dampness or stains from dried fluid). See your authorized INDIAN MOTORCYCLE dealer or other qualified dealer.

PRE-RIDE INSPECTIONS

MECHANICAL CLUTCH

1. Squeeze the clutch lever ① toward the handlebar and release it. It should move freely and smoothly, and it should return to the rest position quickly when released. If the lever fails to perform as stated, service the clutch lever before riding.



2. Clutch lever freeplay ② (gap) is the amount of lever movement from the rest position to the point of cable resistance. Measure the gap between the clutch lever and the lever housing. Adjust clutch lever freeplay if necessary.

MEASUREMENT

Clutch Lever Freeplay:
0.020-0.060 in (0.5-1.5 mm)

NOTICE

The starter interlock switch is dependent on the clutch lever freeplay being set correctly to ensure activation of the clutch safety switch.

⚠ CAUTION

An improper clutch adjustment could lead to premature wear and clutch damage.

THROTTLE

Rotate the throttle control grip. It should rotate smoothly from the rest position to the completely open position. It should return to the rest position quickly when released.

FRONT SUSPENSION

Inspect the front forks for oil leaks or damage, and verify smooth suspension operation. See the Front Fork / Suspension Inspection section for details.

REAR SUSPENSION

Check the rear shock absorber mounting and inspect for leaks. See your dealer for service if you discover leaks or malfunction of any kind. See the Rear Shock Preload sections starting on page 110 regarding inspection and adjustments for details.

 **WARNING**

Inadequate ground clearance could result in components contacting the ground, causing loss of control, and serious injury or death. Always ensure ground clearance is at specification.

SPROCKET INSPECTION

NOTICE

Drive chain and sprocket service life are maximized and drive line noise minimized by proper cleaning. Cleaning interval is approximately every tire change, or more often if operated in dirty, dusty, or high debris environments.

Clean the chain using a chain brush or clean rag to remove any dirt or grit. The chain must be lubricated using Indian Motorcycle chain lube (2884172). See page 108.

 **CAUTION**

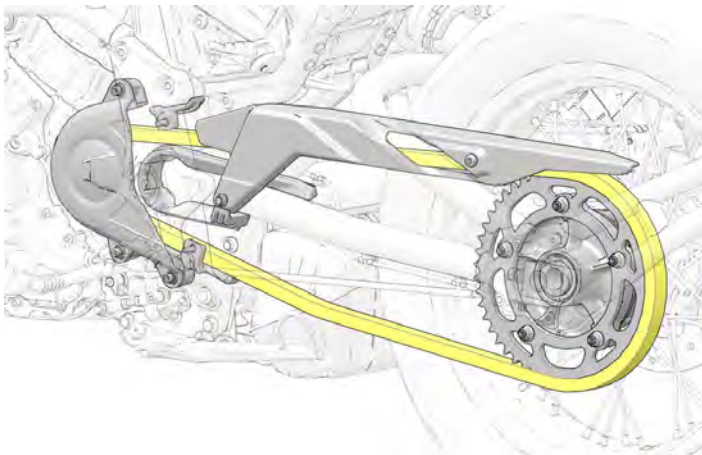
Always have the motorcycle off and the transmission in neutral when performing this procedure.

 **CAUTION**

Do not use a de-greaser to clean the chain. De-greaser may damage the chain o-rings and cause premature wear.

PRE-RIDE INSPECTIONS

1. Inspect front and rear sprocket teeth for wear or damage from foreign material.



2. Closely inspect drive chain condition.

Things to look for:

- wear pattern - ensure even wear throughout sprocket
- cracks
- missing teeth
- uniform teeth size

DRIVE CHAIN

1. Inspect drive chain for excessive wear or sag, foreign substance (grit), or any other damage.
2. If any damage is found, chain should be replaced.
3. If the drive chain or sprocket is being replaced due to damage, replace chain and both sprockets as a set if drive system has more than 5,000 miles (8,000 km) of use.

FUEL LEVEL

1. Position the motorcycle on level ground on its side stand.
2. Slowly open the fuel cap.
3. View the fuel level in the tank.
4. Refuel as needed to the bottom of the filler neck. See the Fueling section for fueling instructions. See the Fuel Recommendations section for fuel specifications.

SIDE-STAND

1. On level ground, straddle the motorcycle and bring it to the fully upright position.
2. Move the side-stand up to the stored position and down to the fully extended position several times. It should move smoothly and quietly. Make sure the return spring holds the side-stand tightly in place when the side-stand is in the stored position. Adjust or replace a loose spring.

3. Inspect the side-stand pivot bolt for looseness or wear. Tighten or replace a loose or worn bolt.
4. Periodically test the side-stand safety switch for proper operation. With the transmission in gear and brakes applied, attempt to start the engine while the side-stand is down. The engine should NEVER start in any gear except neutral if the side-stand is down. If the engine starts during this test, see your dealer for service.

FASTENERS

1. Inspect the entire motorcycle chassis and engine for loose, damaged or missing fasteners.
2. Tighten loose fasteners to the proper torque. See the *INDIAN MOTORCYCLE Service Manual* or an authorized INDIAN MOTORCYCLE dealer or other qualified dealer.

NOTICE

Always replace stripped, damaged or broken fasteners before riding. Use genuine INDIAN MOTORCYCLE fasteners of equal size and strength.

OPERATION OVERVIEW

The operation section of this manual describes how to ensure maximum performance and longevity through the proper care and operation of your motorcycle.

Important areas covered by the operation section include:

- Engine Break-In
- Fueling
- Starting the Engine
- Shifting Gears
- Accelerating
- Braking
- Stopping the Engine
- Parking

NOTICE

Even if you're an experienced motorcycle operator or passenger, read all of the safety information in this manual before operating the motorcycle.

NOTICE

Failure to properly follow the engine break-in procedures outlined in this manual can result in serious damage to the engine. Follow all break-in procedures carefully. Avoid full throttle operation and other conditions that may place an excessive load on the engine during the break-in period.

ENGINE BREAK-IN

The engine break-in period for your motorcycle is the first 500 miles (800 km) of operation. During this break-in period, critical engine parts require special wear-in procedures so they seat and mate properly. Read, understand and follow all break-in procedures to ensure the long-term performance and durability of your engine.

The more cautiously you treat your motorcycle during the break-in period, the more satisfied you will be with its performance later on. Overloading the engine at low RPM and/or running the engine prematurely at high RPM may result in damage to the engine components.

Observe the following precautions during the break-in period:

- Upon initial start-up, do not allow the engine to idle for long periods as overheating can occur.
- Avoid fast starts with wide open throttle. Drive slowly until the engine warms up.
- Avoid running the engine at extremely low RPM in higher gears (lugging the engine).
- Drive within the recommended operating speeds and gears. See page 72 and page 76.

OPERATION

NOTICE

Engine calibration can take up to 10 minutes of idle with the coolant temperature above 181 °F (83 °C) without cylinder deactivation enabled to fully adapt when vehicle is new or after a calibration flash.

OPERATING SPEEDS AND GEARS

ODOMETER	BREAK-IN PROCEDURE
0-90 miles (0-145 km)	Do not operate for extended periods above 1/3 throttle or at any one throttle position. Vary engine speed frequently.
91-300 miles (146-483 km)	Do not operate for extended periods above 1/2 throttle or at any one throttle position. Vary engine speed frequently.
301-500 miles (484-800 km)	Do not operate for extended periods above 3/4 throttle.
At 500 miles (At 800 km)	Perform the break-in maintenance outlined in the maintenance section of this manual. Break-in maintenance should be performed by a dealership. Break-in maintenance must include inspection, adjustments, fastener tightening and an engine oil and filter change. Performing break-in maintenance at the required odometer reading helps ensure peak engine performance, minimal exhaust emissions and maximum service life of the engine.

FUELING

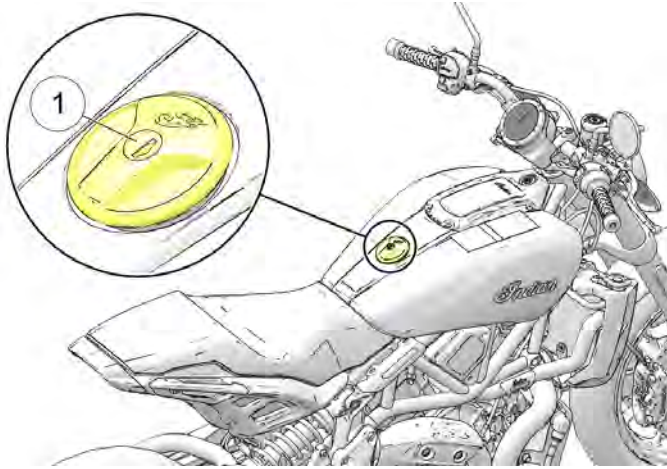
Always dismount the motorcycle and refuel on level ground with the sidestand down. Review the fuel warnings. See page 17. Use only the recommended fuel. See page 159.

WARNING

Overflows or spilled gasoline could contact a hot engine or exhaust system and cause a fire, which could result in serious injury or death. Do not allow gasoline to contact hot components.

WARNING

Always open the fuel cap slowly and fill the fuel tank slowly to prevent spillage. Do not overfill the fuel tank. Leave space in the tank to allow for the fuel to expand.



1. To open the fuel tank cap ①, insert the ignition key into the cap lock and turn it counter-clockwise.
2. Insert the fuel nozzle into the fuel tank filler neck.
3. Hold the nozzle while filling. Do not rest the weight of the nozzle and hose on the filler neck. Do not leave the nozzle unattended.
4. Add fuel to the tank until it crests the oval-shaped opening in the filler neck. The tank is full at this level. Do not overfill the fuel tank. Fuel level should not rise into fill neck funnel. Overfilling may result in degraded performance of engine and evaporative emissions control system.

5. Always close and lock the fuel cap before remounting the motorcycle. With the key rotated counter-clockwise, close the fuel cap with your opposite hand and press it down firmly. Turn the key clockwise to secure the lock.
6. If the motorcycle runs out of fuel, prime the system before attempting to restart the engine. See page 73.

NOTICE

Fuel can damage painted surfaces and plastic parts. If gasoline spills on the any part of the motorcycle, immediately rinse it off with water or wipe it dry with a clean cloth.

PRIMING THE FUEL SYSTEM

If the motorcycle runs out of fuel, prime the fuel system before attempting to restart the engine.

1. Fill the fuel tank.
2. Turn the ignition key to the ON position.
3. Move the engine stop/run switch to the RUN position.
4. Allow the fuel pump to run until it stops (about 2 seconds).
5. Move the engine stop/run switch to the STOP position and wait 15 seconds.
6. Repeat steps 3–5 four to five times.
7. Turn the key to the OFF position.
8. Start the engine. See page 74.

OPERATION

STARTING THE ENGINE

The starter interlock system allows the engine to be started only when the transmission is in neutral, or when the transmission is in gear with the clutch disengaged (clutch lever pulled in).

1. Perform the Pre-Ride Inspections. See page 57. Properly secure any cargo.
2. Straddle the motorcycle and bring it to the fully upright position. Retract the sidestand.
3. Turn the ignition key to the ON position.
4. Move the engine stop/run switch to the RUN position.
5. Shift the transmission to neutral.
6. Apply the front brakes. Disengage the clutch (pull the clutch lever fully toward the handlebar).
7. Press and release the starter switch to start the engine. The starter motor will crank until the engine starts, but no more than 3 seconds. If the engine does not start, wait five seconds, then try again.
8. *If starting a COOL engine*, DO NOT open the throttle while starting. Idle speed is computer controlled and will adjust automatically. Allow the engine to warm up for 30 seconds minimum at low RPM after starting. Do not run the engine above 2500 RPM. *If starting a WARM engine*, DO NOT open the throttle while starting.

9. If either the check engine indicator or the low oil pressure indicator remains on after the engine starts, stop the engine *immediately*. Refer to the low oil pressure indicator information on page 32.

NOTICE

Operating an engine with a misfire or non-firing cylinder can overheat the catalytic converter, which could result in catalytic converter damage and loss of emission control. DO NOT OPERATE the motorcycle if a misfire or non-firing cylinder exists.

10. Leave the throttle closed and allow the engine to idle. Idle speed will gradually slow to normal as the engine warms to operating temperature.

TIP

Do not rev the engine or put the transmission in gear immediately after starting the engine. Allow the engine to idle for about 30 seconds after a warm start or at least one minute after a cold start (longer in cold weather). This will allow oil to reach all areas before the engine is put under load.

NOTICE

Do not run the engine at high RPM with the clutch disengaged or the transmission in neutral. Maximum safe engine speed is 8300 RPM. Never exceed the maximum safe RPM as this could result in serious engine damage.

IDLE SHUT DOWN

If the motorcycle is left idling under normal conditions without user input for 15 minutes, the engine will shut down. If a misfire has been detected, the engine will shut down after 5 minutes without operator input. At any time during the idle countdown timer period, user input to the clutch/brake levers, or throttle, will end the shutdown sequence. At 3 minutes prior to engine shutdown, a notification will be provided to the user.

COLD WEATHER OPERATION



Avoid operating in icy or snowy conditions. Use caution when driving in temperatures at or below 40 °F (4 °C). Leave more room to stop, reduce cornering speeds, and accelerate gradually. Failure to do so could result in serious injury or death.

When operating in cold weather at or below 40 °F (4 °C), be advised that:

- The grip on your standard vehicle tires will lessen and reduce traction.
- The dense air from the lower temperatures will allow your vehicle engine to generate more power.

- The engine control program and transmission control program may compensate for lower temperatures and as a result exhibit unexpected behaviors.
- Salt and sand on roadways may reduce the grip on standard vehicle tires and damage the finish on your vehicle. If you must drive on salted/sanded pavement, INDIAN MOTORCYCLE recommends washing frequently and thoroughly to remove any accumulation on your vehicle.

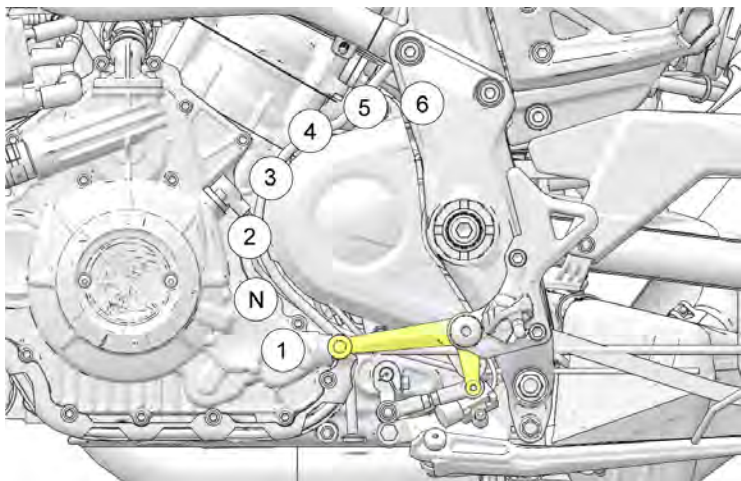
SHIFTING GEARS



Forced shifting (with clutch engaged) could cause damage to the engine, transmission and drive train. Such damage could cause loss of control, which could result in serious injury or death. Always pull the clutch lever fully toward the handlebars to disengage the clutch before shifting gears.

Your motorcycle is equipped with a six-speed transmission. Neutral is located between first and second gear.

OPERATION



Press downward on the toe lever to shift to a lower gear. Lift upward on the toe lever to shift to a higher gear. Release the clutch lever after each gear shift.

Shifting to neutral is easiest if the motorcycle is rolling slowly. To shift from first gear to neutral, gently lift the toe lever a half stroke.

TIP

The transmission is in neutral if you can move the motorcycle forward or rearward freely without disengaging the clutch. If the ignition switch is in the ON position, the neutral indicator illuminates when the transmission is in neutral.

SHIFTING GEARS WHILE STATIONARY

To locate neutral when the motorcycle is stationary, use one of the following techniques to load and unload the transmission:

1. With the clutch disengaged (lever pulled inward), shift into neutral while rocking the motorcycle forward and rearward.
2. With the transmission in first gear, gently release the clutch until it just begins to engage. Apply upward pressure on the toe lever and quickly pull the clutch inward.

NOTICE

There is a Neutral indicator light on the instrument cluster.

SHIFTING GEARS WHILE DRIVING

⚠ WARNING

Downshifting improperly could cause transmission damage, loss of traction and loss of control, which could result in serious injury or death.

- Reduce speed before downshifting. Always downshift within the recommended shift points.
- Use extreme caution when downshifting on wet, slippery or other low traction surfaces. Release the clutch lever very gradually in these conditions.
- Avoid downshifting in a curve. Downshift before entering the curve.

1. Start the engine. See page 74.
2. With the engine at idle speed, apply the front brakes.
3. Disengage the clutch (pull the clutch lever fully toward the handlebar).
4. Push the toe lever downward until you feel it stop in first gear.
5. Release the brake lever.
6. Simultaneously release the clutch lever while opening the throttle (rolling the throttle control grip rearward) in one smooth motion. As the clutch begins to engage, the motorcycle will move forward.
7. To shift to a higher gear, accelerate smoothly to the recommended shift point. See *Recommended Shift Points* chart. With a quick motion, simultaneously close the throttle completely and disengage the clutch. Raise the toe shift lever until you feel it stop at the next gear. Simultaneously release the clutch lever and open the throttle in one smooth motion.
8. To shift to a lower gear (downshift), simultaneously pull the clutch lever toward the handlebar and close the throttle. Move the toe shift lever downward until you feel it stop at the next gear. Simultaneously release the clutch lever while opening the throttle.

TIP

Within the recommended speed ranges (see Recommended Shift Points chart), you can downshift to slow the motorcycle or to increase power. You may want to downshift when climbing a hill or passing. Downshifting also helps to decrease speed when combined with closing the throttle.

RECOMMENDED SHIFT POINTS

FTR RALLY

UPSHIFTING (ACCELERATING)		DOWNSHIFTING (DECELERATING)	
GEAR CHANGE	RECOMMENDED SPEED	GEAR CHANGE	RECOMMENDED SPEED
1 to 2	16 mph (26 km/h)	6 to 5	42 mph (67 km/h)
2 to 3	28 mph (45 km/h)	5 to 4	35 mph (57 km/h)
3 to 4	35 mph (57 km/h)	4 to 3	29 mph (46 km/h)
4 to 5	42 mph (67 km/h)	3 to 2	16 mph (26 km/h)
5 to 6	47 mph (76 km/h)	2 to 1	11 mph (18 km/h)

OPERATION

FTR / FTR SPORT / FTR R CARBON / FTR X 100% R CARBON

UPSHIFTING (ACCELERATING)		DOWNSHIFTING (DECELERATING)	
GEAR CHANGE	RECOMMENDED SPEED	GEAR CHANGE	RECOMMENDED SPEED
1 to 2	17 mph (27 km/h)	6 to 5	45 mph (72 km/h)
2 to 3	30 mph (49 km/h)	5 to 4	38 mph (61 km/h)
3 to 4	38 mph (61 km/h)	4 to 3	30 mph (49 km/h)
4 to 5	45 mph (72 km/h)	3 to 2	17 mph (27 km/h)
5 to 6	51 mph (82 km/h)	2 to 1	12 mph (20 km/h)

BRAKING

Always allow sufficient stopping distance so that brakes can be applied gradually.

TIP

Applying slightly more front brake than rear brake generally provides the best braking performance.

1. To slow the motorcycle with the brakes, close the throttle and apply the front and rear brakes gradually.

TIP

When the anti-lock brakes engage during a braking event, the rider will feel pulsing at the brake lever. Continue to apply steady pressure to the brakes for the best stopping performance.

2. As the motorcycle slows, disengage the clutch, or downshift each time vehicle speed reaches a downshift point.

WARNING

Braking improperly could result in loss of control, which could result in serious injury or death. Avoid braking abruptly. Always apply the brakes gradually, especially on wet, slippery or other low traction surfaces. Avoid braking in a curve or turn. Bring the motorcycle to the upright position before applying the brakes.

ACCELERATING

Accelerate by opening the throttle (rolling the throttle control grip rearward). For even acceleration, open the throttle with a smooth, continuous motion. When you reach the recommended speed for upshifting, shift up one gear.

WARNING

Accelerating abruptly could cause your body to shift rearward suddenly, which could result in loss of control. Accelerating abruptly could also cause loss of control on low traction surfaces. Loss of control could result in serious injury or death. Always accelerate gradually, especially on wet, slippery or other low traction surfaces.

STOPPING THE ENGINE

Before stopping the engine, bring the motorcycle to a complete stop. Shift to neutral or disengage the clutch.

WARNING

Stopping the engine with the transmission in gear while the motorcycle is moving could cause loss of rear wheel traction or engine and transmission damage, which could cause loss of control and serious injury or death. Always stop the engine after the motorcycle is fully stopped and the transmission is in neutral. If the engine stops unexpectedly while the motorcycle is moving, pull the clutch and guide the motorcycle to a safe location off the road and away from traffic. Turn the ignition switch off.

1. When fully stopped, shift into neutral.
2. Move the engine stop/run switch to the STOP position.
3. Turn the ignition switch off. Remove the ignition key.

USING CRUISE CONTROL

The cruise control switches are located on the left hand control. Read this section and understand how to safely operate this feature before using the cruise control.

Cruise control can be activated and adjusted from the left-hand control using the Cruise Control Switch. See page 28.

WARNING

Improper operation of cruise control could cause loss of control and result in serious injury or death. Follow all cruise operation procedures carefully. Never use cruise control when roads are wet or slippery. Do not use cruise control when riding in heavy or congested traffic.

CRUISE CONTROL TIPS

- Cruise control can be set in gears 2-6.
- Vehicle speed must be above 20 mph (32 km/h).
- Set speed will vary slightly in hilly terrain.

OPERATION

- Cruise control will not resume a pre-set speed if the resulting acceleration or deceleration rate is too high or too low. For example, resuming a set speed of 70 mph (113 km/h) from 40 mph (64 km/h), while in 6th gear, may cause cruise to disengage.
- Cruise control will not engage if brake lights are not operating properly.
- The clutch or either brake must have been activated at least once since the engine was started for the cruise control to function.

SET SPEED

1. Press and release the center of the cruise control switch ①. The cruise control indicator will illuminate in the instrument cluster. Cruise control is enabled, but not set.
2. Accelerate to the desired speed and press down on the cruise control switch to activate cruise control. The Cruise Control Set indicator lamp will illuminate. Cruise control is set to the desired speed.

RESUME SPEED

After disengaging the cruise control with the brake, throttle or clutch, press up on the cruise control switch to return to the set speed.

ACCELERATE

While cruise control is engaged, tap up on the cruise control switch to increase speed in approximately 1 mph (1-2 km/h) increments. Press and hold up on the cruise control switch to accelerate to a new set speed (resets when switch is released).

TIP

If you use the throttle to accelerate and then release it, the cruise control will resume the previously set speed.

DECELERATE

While cruise control is engaged, tap and release down on the cruise control switch to decrease speed in approximately 1 mph (1-2 km/h) increments. Press and hold the down on the cruise control switch to decelerate to a new set speed (resets when switch is released), or to the minimum cruise speed of 20 mph (32 km/h).

CANCEL CRUISE CONTROL

To temporarily cancel the cruise control and allow use of the resume feature:

- Apply the brakes, or
- Pull the clutch lever in, or
- Roll the throttle grip forward past the idle position

To cancel the cruise control and erase the set speed from memory, press the cruise on/off switch.

PARKING

Choose a firm level surface to park the motorcycle.

1. When fully stopped, shift into neutral.
2. Stop the engine.
3. Fully extend the sidestand.
4. Turn the handlebars to the left and lean the motorcycle to the left until the sidestand firmly supports the motorcycle.
5. Remove the ignition key.

PARKING ON A SLOPE

If parking on a slope is unavoidable, park with the front wheel uphill from the rear wheel. Place the transmission in first gear and position the motorcycle so that it is stable when it rests on the sidestand.

NOTICE

Always park with the front wheel uphill from the rear wheel when parking on a slope. If the front wheel is downhill from the rear wheel, the sidestand could retract and cause a tipover.

PARKING ON A SOFT SURFACE

If parking on a soft surface is unavoidable, place a sidestand footrest under the foot of the sidestand to provide a firm surface. The sidestand footrest must be strong enough and large enough to support the motorcycle's weight without sinking into the parking surface.

Asphalt becomes soft in hot weather. A sidestand can sink into soft asphalt and the motorcycle may fall. When parking on asphalt in hot weather, use a sidestand footrest.

CAUTION

Hot engine and exhaust components can cause burns to skin and can ignite a fire if exposed to flammable materials. Always park the motorcycle clear of flammable materials and where people are not likely to contact hot components.

MAINTENANCE

SAFETY DURING SERVICE PROCEDURES



Failure to follow all recommended precautions and procedures could result in serious injury or death. Always heed all safety precautions and follow all operation, inspection and maintenance procedures outlined in this manual.

- Improperly installed or adjusted components can make the motorcycle unstable or hard to handle. Improperly installed electrical components can cause engine or electrical system failure. In either event, damage or serious injury could result. If you do not have the time, tools and expertise necessary to complete a procedure properly, please see your dealer for service.
- Review the safety-related maintenance information in the Safety Maintenance section.
- Before beginning any maintenance procedure, read the instructions for the entire procedure.
- Always position the motorcycle on a firm level surface before performing service. Make sure the motorcycle will not tip or fall while elevated or while on the sidestand. See the Elevating the Vehicle section for details.
- Hot engine and exhaust components can cause burns to skin and can ignite a fire if exposed to flammable materials. Always park the motorcycle clear of flammable materials and where people are not likely to contact hot components.
- Wear eye and face protection when using pressurized air.
- Never start the engine or let it run in an enclosed area. Engine exhaust fumes are poisonous and can cause loss of consciousness or death in a short time.
- During some procedures you may use potentially hazardous products such as oil or brake fluid. Always follow the instructions and warnings on the product packaging.

REPLACEMENT PARTS

Any replacement part that is equivalent in performance and durability may be used in the performance of any maintenance or repairs. However, INDIAN MOTORCYCLE is not liable for these parts. The owner is responsible for the performance of all required maintenance. Such maintenance may be performed at a service establishment or by any individual. The warranty period begins on the date the motorcycle is delivered to an ultimate purchaser.

INDIAN MOTORCYCLE

2100 Highway 55

Medina, MN 55340

ATTN: Warranty Department

PROPER MAINTENANCE

Proper maintenance assures the highest level of safety, durability and dependability for your motorcycle. Break-in maintenance is required to ensure warranty coverage and proper emissions system operation.

- Perform the *break-in maintenance procedures* when the motorcycle's odometer registers 500 miles (800 km). Please see your authorized dealer for this service.
- Perform the recommended *periodic maintenance* at the intervals specified in the Periodic Maintenance Table.

ROAD TESTS

Before returning the motorcycle to regular use after performing service, road test it in a safe environment. Pay special attention to the proper fit and operation of all serviced components. Make any corrections or additional adjustments necessary to ensure safe vehicle performance.

BREAK-IN MAINTENANCE

Perform the break-in maintenance procedures when the motorcycle's odometer registers 500 miles (800 km). Please see your authorized dealer for this service.

Performing the break-in maintenance will help ensure optimum engine performance for the entire service life of the engine. Your dealer will change engine oil, inspect all fluids and serviceable components, ensure that all fasteners are tightened and make other adjustments as needed.

MAJOR MAINTENANCE

Major repairs typically require technical skills and specially designed tools. Emission system service requires special tools and training and should be performed by your dealer. See the *INDIAN MOTORCYCLE Service Manual* or an authorized INDIAN MOTORCYCLE dealer or other qualified dealer.

PERIODIC MAINTENANCE

Inspect, clean, lubricate, adjust and replace parts as necessary. When inspection reveals the need for replacement parts, use genuine INDIAN MOTORCYCLE parts available from your dealer. Record service and maintenance information in the Maintenance Log beginning on page 175.

Perform maintenance at the intervals specified in the Periodic Maintenance Table. *Vehicles subjected to severe use must be inspected and serviced more frequently.*

SEVERE USE DEFINITION

- high speed operation for extended periods
- low speed operation for extended periods
- operation in dusty or otherwise adverse conditions
- operation in cold weather (temperatures below freezing)
- operation at max RPM for extended periods
- operation at minimum RPM with high load (lugging)
- operation with extreme load or weight

MAINTENANCE

MAINTENANCE INTERVALS

The maintenance interval charts outline required maintenance and inspection based on vehicle miles. Each table states the number of miles that service is required on the vehicle. Some items or components may need to be serviced more often due to severe use. When the vehicle goes beyond 50,000 miles (80,000 km), return to the 500 miles (800 km) chart and start the interval process over.

XU - Perform these procedures more often for vehicles subjected to severe use.

D - Have an authorized INDIAN MOTORCYCLE dealer perform these services.

E - Emission Control System Service (California / International)

500 MILES (800 KM) SERVICE

ITEM		REMARKS
D	Crankcase Ventilation System	Inspect; tighten, clean, adjust
D	Drive Chain	Inspect; clean, lubricate
D	Engine Mount Fasteners	Inspect; tighten, adjust
XU	Engine Oil & Filter Change	Change oil and filter, inspect used oil for contaminants
E	Evaporative Emission Control System	Inspect; clean

ITEM		REMARKS
E	Exhaust System	Inspect; tighten, adjust
D	Fuel System	Inspect; clean
D	Oil Lines / Oil System Inspection	Inspect; clean, adjust if necessary
	Battery	Check terminals; clean
D	Brake Fluid	Change every two years (DOT 4)
XU / D	Brake Pads	Inspect pad wear; replace if worn beyond service limit
D	Clutch Lever	Lubricate with proper lubricant as directed
D	Clutch Cable Freeplay	Inspect; adjust if necessary
D	Control Cable Ends	Inspect; lubricate with proper lubricant as directed
D	Fasteners	Inspect; tighten if necessary
D	Front Brake Lever	Adjust if necessary, lubricate with proper lubricant as directed
D	Front Fork Oil	Inspect
D	Front Forks and Front Axle	Inspect; adjust if necessary
D	Head Light	Inspect; adjust if necessary
D	Gear Shift Pedal	Inspect; lubricate, adjust if necessary
D	Rear Brake Pedal	Inspect; lubricate, adjust if necessary

ITEM		REMARKS
D	Driver and Passenger Pegs	Inspect; lubricate if necessary
D	Rear Shock Absorber	Inspect; adjust if necessary
D	Rear Wheel Alignment	Inspect; adjust if necessary
	Road Test	Perform Road Test
D	Sidestand	Lubricate with proper lubricant as directed
D	Steering Bearings	Inspect
D	Suspension Linkage, Rear	Inspect
D	Swing Arm and Rear Axle	Inspect
D	Tires / Wheels	Inspect tread depth, sidewall cracking, wear patterns

2,500 MILES (4,000 KM) SERVICE

ITEM		REMARKS
XU	Air Filter	Inspect; clean
D	Crankcase Ventilation System	Inspect; tighten, clean, adjust
D	Drive Chain	Inspect; clean, lubricate

ITEM		REMARKS
E	Evaporative Emission Control System	Inspect; clean
E	Exhaust System	Inspect; tighten, adjust
D	Fuel System	Inspect; clean
D	Oil Lines / Oil System Inspection	Inspect; clean, adjust if necessary
	Battery	Check terminals; clean
D	Brake Fluid	Change every two years (DOT 4)
XU / D	Brake Pads	Inspect pad wear; replace if worn beyond service limit
D	Clutch Cable Freeplay	Inspect; adjust if necessary
D	Fasteners	Inspect; tighten if necessary
D	Front Brake Lever	Inspect; adjust if necessary, lubricate with proper lubricant as directed
D	Front Forks and Front Axle	Inspect; adjust if necessary
D	Head Light	Inspect; adjust if necessary
D	Gear Shift Pedal	Inspect; lubricate, adjust if necessary
D	Rear Brake Pedal	Inspect; lubricate, adjust if necessary
D	Driver and Passenger Pegs	Inspect; lubricate if necessary

MAINTENANCE

ITEM		REMARKS
D	Rear Shock Absorber	Inspect; adjust if necessary
D	Rear Wheel Alignment	Inspect; adjust if necessary
	Road Test	Perform Road Test
D	Sidestand	Inspect; adjust if necessary, lubricate with proper lubricant as directed
D	Steering Bearings	Inspect
D	Suspension Linkage, Rear	Inspect
D	Swing Arm and Rear Axle	Inspect
D	Tires / Wheels	Inspect tread depth, sidewall cracking, wear patterns

5,000 MILES (8,000 KM) SERVICE

ITEM		REMARKS
XU	Air Filter	Inspect; clean
D	Crankcase Ventilation System	Inspect; tighten, clean, adjust
D	Drive Chain	Inspect; clean, lubricate
D	Chain Sliders	Inspect; replace as needed

ITEM		REMARKS
E	Evaporative Emission Control System	Inspect; clean
E	Exhaust System	Inspect; tighten, adjust
D	Fuel System	Inspect; clean
D	Oil Lines / Oil System Inspection	Inspect; clean, adjust if necessary
	Battery	Check terminals; clean
D	Brake Fluid	Change every two years (DOT 4)
XU / D	Brake Pads	Inspect pad wear; replace if worn beyond service limit
D	Clutch Lever	Inspect; adjust if necessary
D	Clutch Cable Freeplay	Inspect; adjust if necessary
D	Control Cable Ends	Inspect; lubricate with proper lubricant as directed
D	Fasteners	Inspect; tighten if necessary
D	Front Brake Lever	Adjust if necessary, lubricate with proper lubricant as directed
D	Front Fork Oil	Replace at specified interval or every 2 years
D	Front Forks and Front Axle	Inspect; adjust if necessary

ITEM		REMARKS
D	Gear Shift Pedal	Inspect; lubricate, adjust if necessary
D	Rear Brake Pedal	Inspect; lubricate, adjust if necessary
D	Driver and Passenger Pegs	Inspect; lubricate if necessary
D	Rear Shock Absorber	Inspect; adjust if necessary
D	Rear Wheel Alignment	Inspect; adjust if necessary
	Road Test	Perform Road Test
D	Sidestand	Inspect; adjust if necessary, lubricate with proper lubricant as directed
D	Steering Bearings	Inspect
D	Suspension Linkage, Rear	Inspect
D	Swing Arm and Rear Axle	Inspect
D	Tires / Wheels	Inspect tread depth, sidewall cracking, wear patterns

10,000 MILES (16,000 KM) SERVICE

ITEM		REMARKS
XU	Air Filter	Inspect; clean
D	Crankcase Ventilation System	Inspect; tighten, clean, adjust

ITEM		REMARKS
D	Drive Chain	Inspect; clean, lubricate
D	Chain Sliders	Inspect; replace as needed
D	Engine Compression	Inspect; correct if necessary
XU	Engine Oil & Filter Change	Change oil and filter, inspect used oil for contaminants
E	Evaporative Emission Control System	Inspect; clean
E	Exhaust System	Inspect; tighten, adjust
D	Fuel System	Inspect; clean
D	Oil Lines / Oil System Inspection	Inspect; clean, adjust if necessary
D / E	Spark Plugs	Inspect; replace as needed; torque to specification
	Battery	Check terminals; clean
D	Brake Fluid	Replace (DOT 4)
XU / D	Brake Pads	Inspect pad wear; replace if worn beyond service limit
D	Clutch Lever	Lubricate with proper lubricant as directed
D	Clutch Cable Freeplay	Inspect; adjust if necessary

MAINTENANCE

ITEM		REMARKS
D	Control Cable Ends	Lubricate with proper lubricant as directed
D	Fasteners	Inspect; tighten if necessary
D	Front Brake Lever	Adjust if necessary, lubricate with proper lubricant as directed
D	Front Fork Oil	Replace at specified interval or every 2 years
D	Front Forks and Front Axle	Inspect; adjust if necessary
D	Head Light	Inspect; adjust if necessary
D	Gear Shift Pedal	Inspect; lubricate, adjust if necessary
D	Rear Brake Pedal	Inspect; lubricate, adjust if necessary
D	Driver and Passenger Pegs	Inspect; lubricate if necessary
D	Rear Shock Absorber	Inspect; adjust if necessary
D	Rear Wheel Alignment	Inspect; adjust if necessary
	Road Test	Perform Road Test
D	Sidestand	Lubricate with proper lubricant as directed
D	Steering Bearings	Inspect
D	Suspension Linkage, Rear	Inspect

ITEM		REMARKS
D	Swing Arm and Rear Axle	Inspect
D	Tires / Wheels	Inspect tread depth, sidewall cracking, wear patterns

15,000 MILES (24,000 KM) SERVICE

ITEM		REMARKS
XU	Air Filter	Replace
D	Crankcase Ventilation System	Inspect; tighten, clean, adjust
D	Drive Chain	Replace
D	Chain Sliders	Inspect; replace as needed
E	Evaporative Emission Control System	Inspect; clean
E	Exhaust System	Inspect; tighten, adjust
D	Fuel System	Inspect; clean
D	Oil Lines / Oil System Inspection	Inspect; clean, adjust if necessary
	Battery	Check terminals; clean
D	Brake Fluid	Change every two years (DOT 4)
XU / D	Brake Pads	Inspect pad wear; replace if worn beyond service limit

ITEM		REMARKS
D	Clutch Lever	Inspect; adjust if necessary
D	Clutch Cable Freeplay	Inspect; adjust if necessary
D	Control Cable Ends	Inspect; adjust if necessary
D	Fasteners	Inspect; tighten if necessary
D	Front Brake Lever	Adjust if necessary, lubricate with proper lubricant as directed
D	Front Fork Oil	Replace
D	Front Forks and Front Axle	Inspect; adjust if necessary
D	Gear Shift Pedal	Inspect; lubricate, adjust if necessary
D	Rear Brake Pedal	Inspect; lubricate, adjust if necessary
D	Driver and Passenger Pegs	Inspect; lubricate if necessary
D	Rear Shock Absorber	Inspect; adjust if necessary
D	Rear Wheel Alignment	Inspect; adjust if necessary
	Road Test	Perform Road Test
D	Sidestand	Inspect; adjust if necessary, lubricate with proper lubricant as directed
D	Steering Bearings	Inspect
D	Suspension Linkage, Rear	Inspect

ITEM		REMARKS
D	Swing Arm and Rear Axle	Inspect
D	Tires / Wheels	Inspect tread depth, sidewall cracking, wear patterns

20,000 MILES (32,000 KM) SERVICE

ITEM		REMARKS
XU	Air Filter	Inspect; clean
D	Crankcase Ventilation System	Inspect; tighten, clean, adjust
D	Drive Chain	Inspect; clean, lubricate
D	Chain Sliders	Inspect; replace as needed
D	Engine Compression	Inspect; correct if necessary
XU	Engine Oil & Filter Change	Change oil and filter, inspect used oil for contaminants
E	Evaporative Emission Control System	Inspect; clean
E	Exhaust System	Inspect; tighten, adjust
D	Fuel System	Inspect; clean
D	Oil Lines / Oil System Inspection	Inspect; clean, adjust if necessary

MAINTENANCE

ITEM		REMARKS
D / E	Spark Plugs	Inspect; replace as needed; torque to specification
D	Valve Lash Clearance	Inspect; adjust if necessary
	Battery	Check terminals; clean
D	Brake Fluid	Replace (DOT 4)
XU / D	Brake Pads	Inspect pad wear; replace if worn beyond service limit
D	Clutch Lever	Lubricate with proper lubricant as directed
D	Clutch Cable Freeplay	Inspect; adjust if necessary
D	Control Cable Ends	Lubricate with proper lubricant as directed
D	Fasteners	Inspect; tighten if necessary
D	Front Brake Lever	Adjust if necessary, lubricate with proper lubricant as directed
D	Front Fork Oil	Inspect
D	Front Forks and Front Axle	Inspect; adjust if necessary
D	Head Light	Inspect; adjust if necessary
D	Gear Shift Pedal	Inspect; lubricate, adjust if necessary
D	Rear Brake Pedal	Inspect; lubricate, adjust if necessary

ITEM		REMARKS
D	Driver and Passenger Pegs	Inspect; lubricate if necessary
D	Rear Shock Absorber	Inspect; adjust if necessary
D	Rear Wheel Alignment	Inspect; adjust if necessary
	Road Test	Perform Road Test
D	Sidestand	Lubricate with proper lubricant as directed
D	Steering Bearings	Inspect
D	Suspension Linkage, Rear	Inspect
D	Swing Arm and Rear Axle	Inspect
D	Tires / Wheels	Inspect tread depth, sidewall cracking, wear patterns

25,000 MILES (40,000 KM) SERVICE

ITEM		REMARKS
XU	Air Filter	Inspect; clean
D	Crankcase Ventilation System	Inspect; tighten, clean, adjust
D	Drive Chain	Inspect; clean, lubricate
D	Chain Sliders	Inspect; replace as needed

ITEM		REMARKS
E	Evaporative Emission Control System	Inspect; clean
E	Exhaust System	Inspect; tighten, adjust
D	Fuel System	Inspect; clean
D	Oil Lines / Oil System Inspection	Inspect; clean, adjust if necessary
	Battery	Check terminals; clean
D	Brake Fluid	Change every two years (DOT 4)
XU / D	Brake Pads	Inspect pad wear; replace if worn beyond service limit
D	Clutch Lever	Inspect; adjust if necessary
D	Clutch Cable Freeplay	Inspect; adjust if necessary
D	Control Cable Ends	Inspect; adjust if necessary
D	Fasteners	Inspect; tighten if necessary
D	Front Brake Lever	Adjust if necessary, lubricate with proper lubricant as directed
D	Front Fork Oil	Inspect
D	Front Forks and Front Axle	Inspect; adjust if necessary
D	Gear Shift Pedal	Inspect; lubricate, adjust if necessary
D	Rear Brake Pedal	Inspect; lubricate, adjust if necessary

ITEM		REMARKS
D	Driver and Passenger Pegs	Inspect; lubricate if necessary
D	Rear Shock Absorber	Inspect; adjust if necessary
D	Rear Wheel Alignment	Inspect; adjust if necessary
	Road Test	Perform Road Test
D	Sidestand	Inspect; adjust if necessary, lubricate with proper lubricant as directed
D	Steering Bearings	Inspect
D	Suspension Linkage, Rear	Inspect
D	Swing Arm and Rear Axle	Inspect
D	Tires / Wheels	Inspect tread depth, sidewall cracking, wear patterns

30,000 MILES (48,000 KM) SERVICE

ITEM		REMARKS
XU	Air Filter	Replace
D	Crankcase Ventilation System	Inspect; tighten, clean, adjust
D	Drive Chain	Replace
D	Chain Sliders	Inspect; replace as needed

MAINTENANCE

ITEM		REMARKS
D	Engine Compression	Inspect; correct if necessary
XU	Engine Oil & Filter Change	Change oil and filter, inspect used oil for contaminants
E	Evaporative Emission Control System	Inspect; clean
E	Exhaust System	Inspect; tighten, adjust
D	Fuel System	Inspect; clean
D	Oil Lines / Oil System Inspection	Inspect; clean, adjust if necessary
D / E	Spark Plugs	Replace
	Battery	Check terminals; clean
D	Brake Fluid	Replace (DOT 4)
XU / D	Brake Pads	Inspect pad wear; replace if worn beyond service limit
D	Clutch Lever	Lubricate with proper lubricant as directed
D	Clutch Cable Freeplay	Inspect; adjust if necessary
D	Control Cable Ends	Lubricate with proper lubricant as directed
D	Fasteners	Inspect; tighten if necessary

ITEM		REMARKS
D	Front Brake Lever	Lubricate with proper lubricant as directed
D	Front Fork Oil	Replace
D	Front Forks and Front Axle	Inspect; adjust if necessary
D	Head Light	Inspect; adjust if necessary
D	Gear Shift Pedal	Inspect; lubricate, adjust if necessary
D	Rear Brake Pedal	Inspect; lubricate, adjust if necessary
D	Driver and Passenger Pegs	Inspect; lubricate if necessary
D	Rear Shock Absorber	Inspect; adjust if necessary
D	Rear Wheel Alignment	Inspect; adjust if necessary
	Road Test	Perform Road Test
D	Sidestand	Lubricate with proper lubricant as directed
D	Steering Bearings	Inspect
D	Suspension Linkage, Rear	Inspect
D	Swing Arm and Rear Axle	Inspect
D	Tires / Wheels	Inspect tread depth, sidewall cracking, wear patterns

35,000 MILES (52,000 KM) SERVICE

ITEM		REMARKS
XU	Air Filter	Inspect; clean
D	Crankcase Ventilation System	Inspect; tighten, clean, adjust
D	Drive Chain	Inspect; clean, lubricate
D	Chain Sliders	Inspect; replace as needed
E	Evaporative Emission Control System	Inspect; clean
E	Exhaust System	Inspect; tighten, adjust
D	Fuel System	Inspect; clean
D	Oil Lines / Oil System Inspection	Inspect; clean, adjust if necessary
	Battery	Check terminals; clean
D	Brake Fluid	Change every two years (DOT 4)
XU / D	Brake Pads	Inspect pad wear; replace if worn beyond service limit
D	Clutch Lever	Inspect; adjust if necessary
D	Clutch Cable Freeplay	Inspect; adjust if necessary
D	Control Cable Ends	Inspect; adjust if necessary
D	Fasteners	Inspect; tighten if necessary

ITEM		REMARKS
D	Front Brake Lever	Adjust if necessary, lubricate with proper lubricant as directed
D	Front Fork Oil	Inspect
D	Front Forks and Front Axle	Inspect; adjust if necessary
D	Gear Shift Pedal	Inspect; lubricate, adjust if necessary
D	Rear Brake Pedal	Inspect; lubricate, adjust if necessary
D	Driver and Passenger Pegs	Inspect; lubricate if necessary
D	Rear Shock Absorber	Inspect; adjust if necessary
D	Rear Wheel Alignment	Inspect; adjust if necessary
	Road Test	Perform Road Test
D	Sidestand	Lubricate with proper lubricant as directed
D	Steering Bearings	Inspect
D	Suspension Linkage, Rear	Inspect
D	Swing Arm and Rear Axle	Inspect
D	Tires / Wheels	Inspect tread depth, sidewall cracking, wear patterns

MAINTENANCE

40,000 MILES (64,000 KM) SERVICE

ITEM		REMARKS
XU	Air Filter	Inspect; clean
D	Crankcase Ventilation System	Inspect; tighten, clean, adjust
D	Drive Chain	Inspect; clean, lubricate
D	Chain Sliders	Inspect; replace as needed
D	Engine Compression	Inspect; correct if necessary
XU	Engine Oil & Filter Change	Change oil and filter, inspect used oil for contaminants
E	Evaporative Emission Control System	Inspect; clean
E	Exhaust System	Inspect; tighten, adjust
D	Fuel System	Inspect; clean
D	Oil Lines / Oil System Inspection	Inspect; clean, adjust if necessary
D / E	Spark Plugs	Inspect; replace as needed; torque to specification
D	Valve Lash Clearance	Inspect; adjust if necessary
	Battery	Check terminals; clean
D	Brake Fluid	Replace (DOT 4)

ITEM		REMARKS
XU / D	Brake Pads	Inspect pad wear; replace if worn beyond service limit
D	Clutch Lever	Lubricate with proper lubricant as directed
D	Clutch Cable Freeplay	Inspect; adjust if necessary
D	Control Cable Ends	Lubricate with proper lubricant as directed
D	Fasteners	Inspect; tighten if necessary
D	Front Brake Lever	Adjust if necessary, lubricate with proper lubricant as directed
D	Front Fork Oil	Inspect
D	Front Forks and Front Axle	Inspect; adjust if necessary
D	Head Light	Inspect; adjust if necessary
D	Gear Shift Pedal	Inspect; lubricate, adjust if necessary
D	Rear Brake Pedal	Inspect; lubricate, adjust if necessary
D	Driver and Passenger Pegs	Inspect; lubricate if necessary
D	Rear Shock Absorber	Inspect; adjust if necessary
D	Rear Wheel Alignment	Inspect; adjust if necessary
	Road Test	Perform Road Test

ITEM		REMARKS
D	Sidestand	Lubricate with proper lubricant as directed
D	Steering Bearings	Inspect
D	Suspension Linkage, Rear	Inspect
D	Swing Arm and Rear Axle	Inspect
D	Tires / Wheels	Inspect tread depth, sidewall cracking, wear patterns

45,000 MILES (72,000 KM) SERVICE

ITEM		REMARKS
XU	Air Filter	Replace
D	Crankcase Ventilation System	Inspect; tighten, clean, adjust
D	Drive Chain	Replace
D	Chain Sliders	Inspect; replace as needed
E	Evaporative Emission Control System	Inspect; clean
E	Exhaust System	Inspect; tighten, adjust
D	Fuel System	Inspect; clean
D	Oil Lines / Oil System Inspection	Inspect; clean, adjust if necessary

ITEM		REMARKS
	Battery	Check terminals; clean
D	Brake Fluid	Change every two years (DOT 4)
XU / D	Brake Pads	Inspect pad wear; replace if worn beyond service limit
D	Clutch Lever	Lubricate with proper lubricant as directed
D	Clutch Cable Freeplay	Inspect; adjust if necessary
D	Control Cable Ends	Inspect; lubricate with proper lubricant as directed
D	Fasteners	Inspect; tighten if necessary
D	Front Brake Lever	Lubricate with proper lubricant as directed
D	Front Fork Oil	Replace
D	Front Forks and Front Axle	Inspect; adjust if necessary
D	Gear Shift Pedal	Inspect; lubricate, adjust if necessary
D	Rear Brake Pedal	Inspect; lubricate, adjust if necessary
D	Driver and Passenger Pegs	Inspect; lubricate if necessary
D	Rear Shock Absorber	Inspect; adjust if necessary
D	Rear Wheel Alignment	Inspect; adjust if necessary

MAINTENANCE

ITEM		REMARKS
	Road Test	Perform Road Test
D	Sidestand	Lubricate with proper lubricant as directed
D	Steering Bearings	Inspect
D	Suspension Linkage, Rear	Inspect
D	Swing Arm and Rear Axle	Inspect
D	Tires / Wheels	Inspect tread depth, sidewall cracking, wear patterns

50,000 MILES (80,000 KM) SERVICE

ITEM		REMARKS
XU	Air Filter	Inspect; clean
D	Crankcase Ventilation System	Inspect; tighten, clean, adjust
D	Drive Chain	Inspect; clean, lubricate
D	Chain Sliders	Inspect; replace as needed
D	Engine Compression	Inspect; correct if necessary
D	Engine Mount Fasteners	Inspect; tighten, adjust
XU	Engine Oil & Filter Change	Change oil and filter, inspect used oil for contaminants

ITEM		REMARKS
E	Evaporative Emission Control System	Inspect; clean
E	Exhaust System	Inspect; tighten, adjust
D	Fuel System	Inspect; clean
D	Oil Lines / Oil System Inspection	Inspect; clean, adjust if necessary
D / E	Spark Plugs	Inspect; replace as needed; torque to specification
	Battery	Check terminals; clean
D	Brake Fluid	Replace (DOT 4)
XU / D	Brake Pads	Inspect pad wear; replace if worn beyond service limit
D	Clutch Lever	Lubricate with proper lubricant as directed
D	Clutch Cable Freeplay	Inspect; adjust if necessary
D	Control Cable Ends	Lubricate with proper lubricant as directed
D	Fasteners	Inspect; tighten if necessary
D	Front Brake Lever	Adjust if necessary, lubricate with proper lubricant as directed
D	Front Fork Oil	Inspect

ITEM		REMARKS
D	Front Forks and Front Axle	Inspect; adjust if necessary
D	Head Light	Inspect; adjust if necessary
D	Gear Shift Pedal	Inspect; lubricate, adjust if necessary
D	Rear Brake Pedal	Inspect; lubricate, adjust if necessary
D	Driver and Passenger Pegs	Inspect; lubricate if necessary
D	Rear Shock Absorber	Replace
D	Rear Wheel Alignment	Inspect; adjust if necessary
	Road Test	Perform Road Test
D	Sidestand	Lubricate with proper lubricant as directed
D	Steering Bearings	Inspect
D	Suspension Linkage, Rear	Inspect
D	Swing Arm and Rear Axle	Inspect
D	Tires / Wheels	Inspect tread depth, sidewall cracking, wear patterns

D - Have an authorized INDIAN MOTORCYCLE dealer perform these services.

E - Emission Control System Service (California)

XU - Perform these procedures more often for vehicles subjected to severe use.

ENGINE OIL & FILTER CHANGE

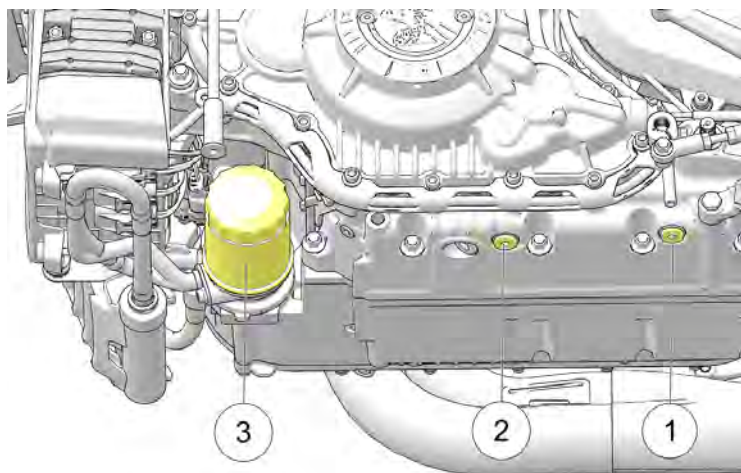
IMPORTANT

Engine **MUST BE WARMED** before performing the following procedure.

⚠ CAUTION

HOT COMPONENTS

Wear insulated gloves and use caution handling these parts.



1. Run engine until warm, then turn engine off.
2. Securely support the motorcycle in a vertical “centered” position.
3. Place an oil drain pan under the engine oil drain plugs ① and ②.
4. Remove the drain plugs and sealing washers.
5. Allow oil to drain completely. Dispose of oil properly.
6. Remove oil filter ③ and allow oil to drain. Dispose of oil filter properly.
7. Clean the engine oil filter mount sealing surface and surrounding area.
8. Place a small amount of oil on the new oil filter seal and spin filter on until the filter seal contacts the sealing surface. Tighten oil filter to specification.

TORQUE

Oil Filter:

115 in-lbs (13 N·m) or approximately 3/4 to 1 full turn after seal contacts the filter mount sealing surface.

9. Use new sealing washers and reinstall the drain plugs. Torque to specification.

TORQUE

Engine Oil Drain Plug:
15 ft-lbs (20 N·m)

10. Use a funnel to add 3 qt (2.8 L) of Indian Motorcycle 15W-60 Full Synthetic engine oil through the engine oil fill port.

NOTICE

3 US quarts will bring the engine oil level at or near the “FULL” mark on the sight glass. For a new or rebuilt (dry) engine add an additional 0.5 qt (0.47 L).

11. Securely support the motorcycle in a vertical “centered” position, idle engine for approximately 30 seconds.
12. Turn the engine off.
13. Inspect the oil level by looking at the oil sight glass. The oil level should be in the middle of the sight glass between the two indicator marks. **DO NOT OVERFILL!**

IMPORTANT

Total engine oil fill volume with oil filter change will be approximately 3.0 - 4.0 qt (2.8 - 3.8 L). Total engine oil fill volume with a new or rebuilt (dry) engine will be approximately 4.5 qt (4.25 L).

14. Refer to page 60 for setting proper oil level.

CAUTION

If the low oil pressure indicator remains illuminated longer than usual after an oil change, do not increase RPM above idle until indicator lamp goes out or engine may be damaged.

15. Check for leaks around drain plug and oil filter.

NOTICE

Recycle used oil and oil filter in accordance with local regulations.

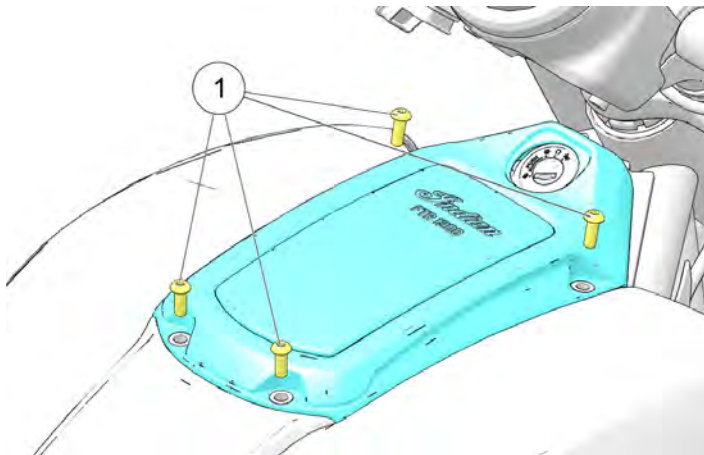
MAINTENANCE

AIR FILTER REPLACEMENT

NOTICE

If the motorcycle is operated in wet or dusty conditions, more frequent servicing is required. The air filter element cannot be cleaned. Replace the filter when necessary.

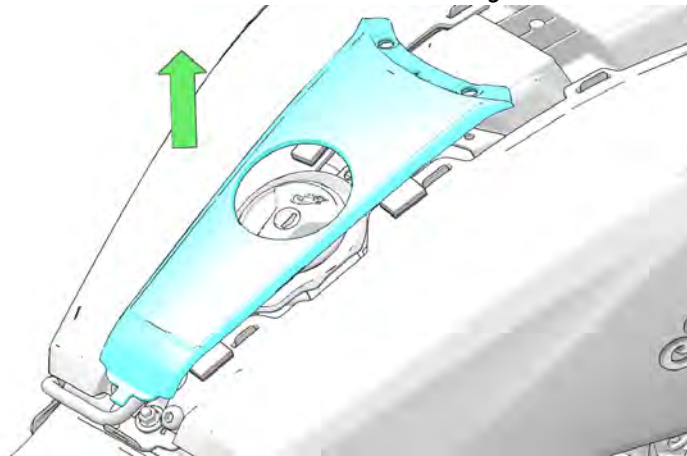
1. Remove the seat. See page 132.
2. Remove four fasteners ① securing air box bezel.



NOTICE

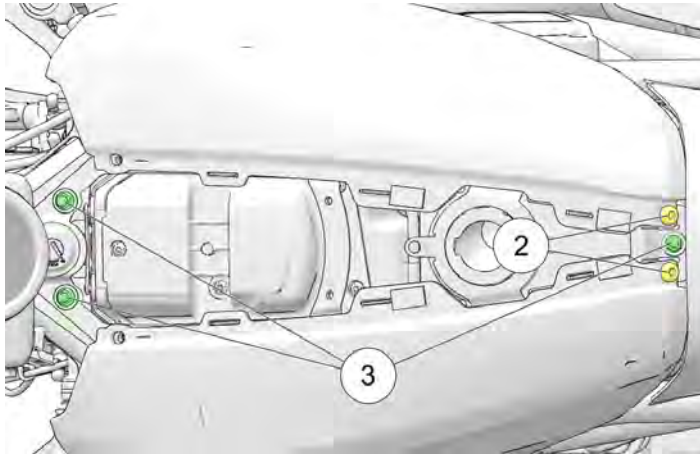
Do not loosen or reinstall fasteners without compression limiters in place.

3. Remove the center console cover from the alignment bracket.

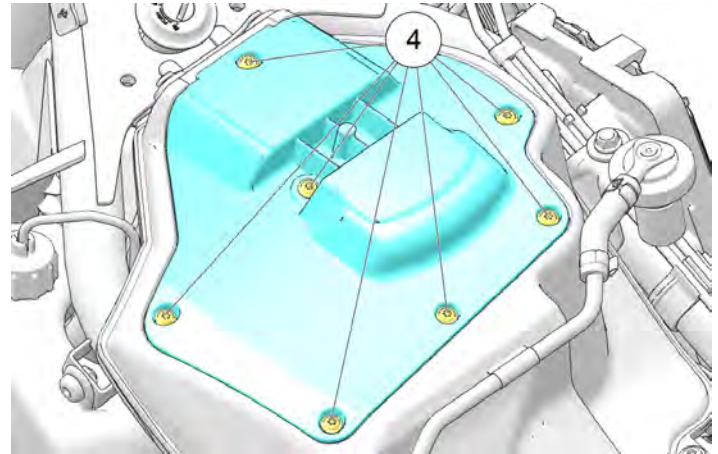


4. Remove the gas cap and relocate to clean, safe location.

5. Remove the two fasteners securing the air box cover ②.



8. Remove seven fasteners ④ securing air filter access cover.



6. Remove the 2 air box covers.

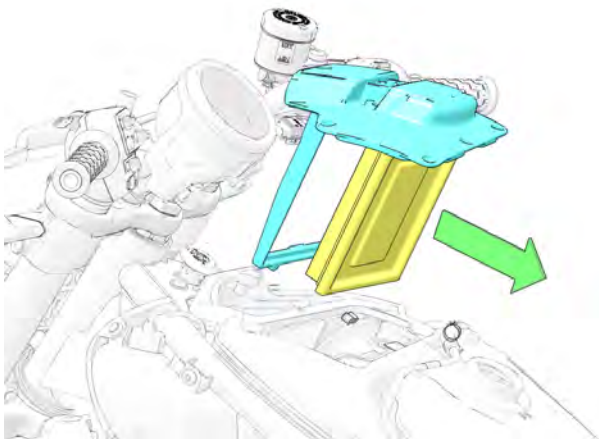
NOTICE

Pull air box cover up and out to remove.

7. Remove three fasteners ③ to remove alignment bracket.

MAINTENANCE

9. Remove the air filter from the airbox.



10. Inspect filter element and replace if dirty, wet, or oil fouled.

11. Install *New* filter with same orientation as old filter.

CAUTION

A bent, improperly installed filter element, or loose fitting cover may allow debris to enter the engine which may cause premature engine wear.



12. Install air filter access cover and secure with seven fasteners.

TORQUE

Air Filter Access Cover Fastener:
14 in-lbs (2 N·m)

13. Install the alignment bracket and secure with fasteners.

TORQUE
Bodywork Alignment Bracket Fastener: 96 in-lbs (11 N·m)

14. Install airbox cover.

TORQUE
Airbox Cover Fastener: 36 in-lbs (4 N·m)

15. Install gas cap.

16. Install center console cover.

17. Install airbox bezel and secure with fasteners.

TORQUE
Airbox Bezel Fastener: 36 in-lbs (4 N·m)

18. Reinstall seat. See page 132.

COOLING SYSTEM

The engine coolant level is controlled by the recovery system. Recovery system components are the recovery bottle, the radiator filler neck, the radiator pressure cap and the connecting hose.

As coolant operating temperature increases, the expanding (heated) excess coolant is forced out of the engine, past the pressure cap, and into the recovery bottle. As engine coolant temperature decreases the contracting (cooled) coolant is drawn back up from the bottle, past the pressure cap, and into the radiator.

Some coolant level drop on new vehicles is normal as the system is purging itself of trapped air. Check the coolant level and maintain as recommended by adding coolant to the recovery bottle.

INDIAN MOTORCYCLE recommends the use of Antifreeze 50/50 Premix. This antifreeze is already premixed and ready to use. Do not dilute with water.

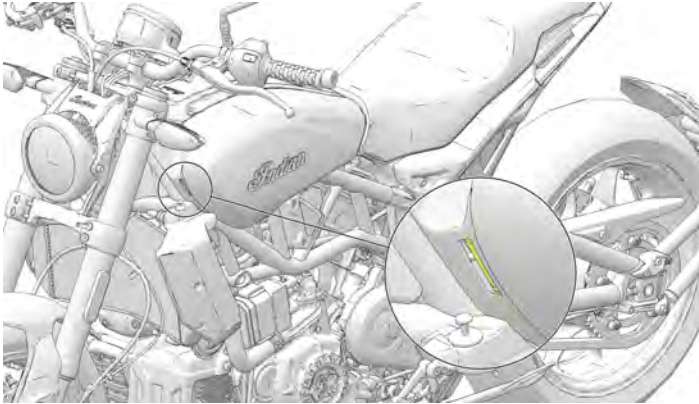
To ensure that the coolant maintains its ability to protect the engine, we recommend that the system be completely drained every five (5) years or 50,000 miles (80,467 km), whichever comes first. Please see your dealer for this service.

COOLANT LEVEL INSPECTION

The Coolant Overflow bottle is located under the airbox cover. The level can be viewed without the need to disassemble any components.

MAINTENANCE

1. Locate the coolant bottle level window located on the left side of the unit.

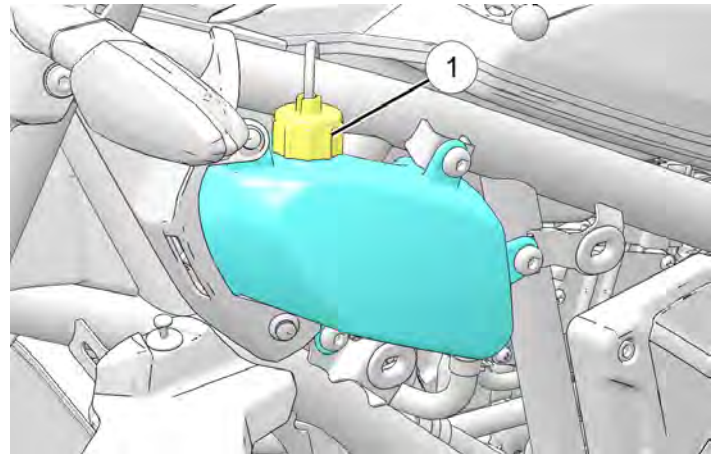


2. Ensure the coolant is in between the marked values.
3. If the coolant level is below the bottom line, coolant will need to be added to the system.

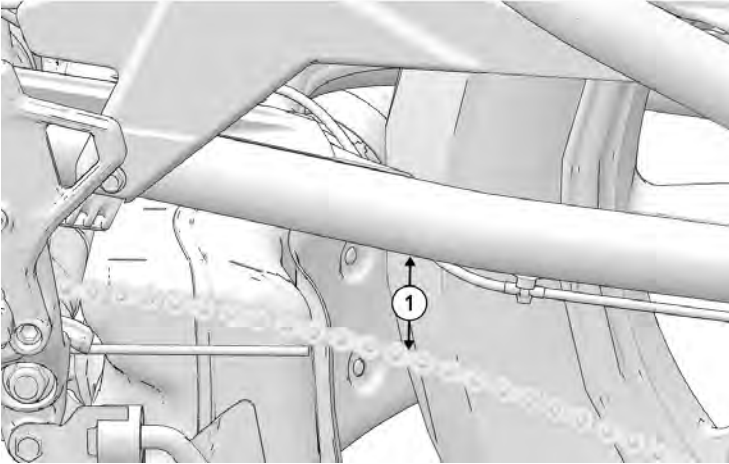
ADDING COOLANT

To add coolant, do the following:

1. Remove the seat and airbox covers.
2. Remove the overflow bottle cap ① to add coolant. Add coolant until level is within the marked values.



CHAIN TENSION



To measure the chain tension, do the following:

1. With motorcycle on side stand and in neutral, using a chain tension gauge push up on the lower string of the chain in the center with 10 lbs. of force.
2. Measure to the bottom of the swing arm behind the chain slider at the rear of the swing arm gusset ①.

MEASUREMENT

Distance to the top of the chain:
1.30-1.57 in. (33-40 mm)

3. If drive chain tension appears to be out of specification or misaligned, see page 108, or your authorized INDIAN MOTORCYCLE dealer for maintenance and service recommendations.

MAINTENANCE

DRIVE CHAIN ADJUSTMENT

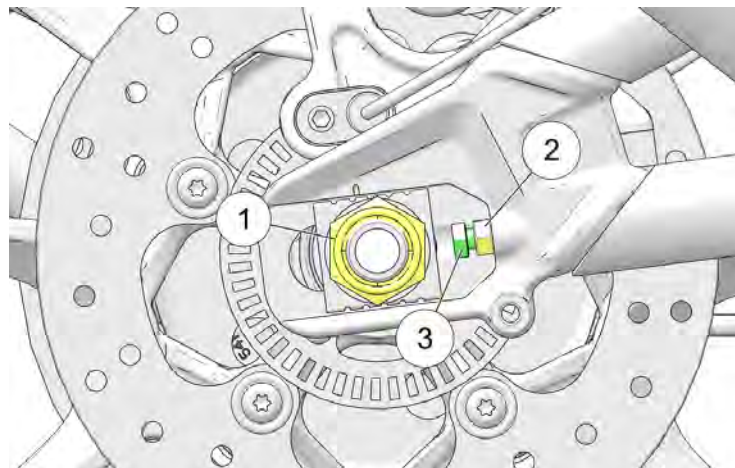
Lubricate the drive chain with INDIAN MOTORCYCLE chain spray lube or an approved chain lube at the interval specified in the Periodic Maintenance Chart. Lubricate more often under severe use, such as dirty or wet conditions.

IMPORTANT

Washing the drive chain with a high pressure washer or solvents can cause premature wear and chain failure. Do not use a high pressure washer or gasoline to clean the drive chain. Operating the motorcycle with improper rear drive chain deflection can result in severe damage to the transmission and drive components. Always make sure the chain is adjusted within the stated specifications.

WARNING

A rear axle not in alignment can cause drive line noise and damage the drive chain, causing possible chain failure and loss of control of the motorcycle.



1. Loosen the axle nut ①.
2. Loosen both tension bolt jam nuts ② on both sides.
3. Adjust the tension bolts ③ evenly on both sides until correct tension is achieved. Reference page 109.

IMPORTANT

To minimize change in chain tension, use RIGHT SIDE adjuster only to make final adjustments to chain alignment. Be sure to keep axle seated forward against axle adjusters during this procedure.

4. Use the adjuster marks to ensure even axle alignment.
5. Without moving the tension bolts, Tighten jam nuts. Ensure the axle is pushed forward against the adjuster bolts.

TORQUE

Swing Arm Jam Nut
12 in-lbs (1.36 N·m)

6. Recheck chain tension and adjust accordingly.
7. Install axle nut.

TORQUE

Axle Nut (Rear)
92 ft-lbs (125 N·m)

DRIVE CHAIN STRETCH INSPECTION

With a 20-25 lb weight hung on the lower string of the chain, measure the distance from the center of one pin to the center of the 21st pin on the top string of the chain. If the length exceeds 319 mm, chain must be replaced.

DRIVE CHAIN TENSION - SPECIFICATIONS

CHAIN DEFLECTION	
MODEL	DEFLECTION AT 10 LBS FORCE
All Models	1.30-1.57 in. (33-40 mm)
DRIVE CHAIN STRETCH SPECIFICATION	
MODEL	Value
All Models	12.56 in. (319 mm) or less

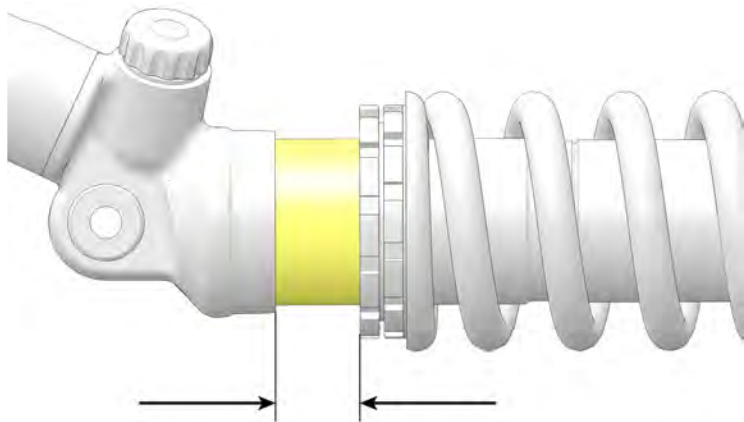
MAINTENANCE

REAR SHOCK PRELOAD INSPECTION

Periodically inspect rear shock preload. For the most comfortable ride and proper ground clearance, adjust preload according to following table.

NOTICE

Models shown for reference only. Shock may vary depending on model.

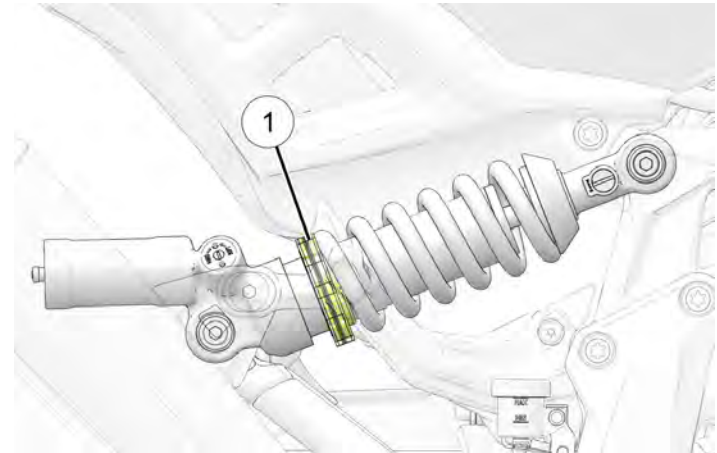


1. Identify the combined weight of rider, passenger, and cargo.
2. Determine shock preload by measuring the amount of exposed thread on the shock body behind the jam nut. See the table below for measurement based on weight.
3. Adjust preload as needed to achieve dimension specified in the table below. To adjust, see page 111.

COMBINED WEIGHT OF RIDER, PASSENGER, AND CARGO	DIMENSION		
	FTR RALLY	FTR / FTR SPORT	FTR R CARBON / FTR X 100% R CARBON
125 lb (57 kg)	0 mm	0 mm	19 mm
150 lb (68 kg)	2 mm	2 mm	21 mm
175 lb (79 kg)	5 mm	5 mm	23.5 mm
200 lb (91 kg)	8 mm	8 mm	26 mm
225 lb (102 kg)	10 mm	10 mm	28 mm
250 lb (113 kg)	13 mm	13 mm	31 mm
275 lb (125 kg)	15 mm	16 mm	32 mm

REAR SHOCK PRELOAD ADJUSTMENT

1. Place the motorcycle in an upright position with the front wheel clamped in a wheel vise.
2. Using shock spanner wrench (2884176) loosen the lock nut ① by turning it counter-clockwise (as viewed from the top of the shock).
3. Spray a light lubricant on the adjuster nut where it contacts the spring.
4. Adjust shock preload by rotating the adjuster nut clockwise (as viewed from the top of the shock) to **INCREASE** preload (firm) or counter-clockwise to **DECREASE** preload (softer).



COMBINED WEIGHT OF RIDER, PASSENGER, AND CARGO	DIMENSION		
	FTR RALLY	FTR / FTR SPORT	FTR R CARBON / FTR X 100% R CARBON
300 lb (136 kg)	17 mm	18 mm	34 mm
325 lb (147 kg)	20 mm	21 mm	37 mm
350 lb (159 kg)	22 mm	23 mm	39 mm
375 lb (170 kg)	25 mm	26 mm	39.5 mm
400 lb (181 kg)	27 mm	28 mm	39.5 mm
425 lb (196 kg)	30 mm	30 mm	39.5 mm

MAINTENANCE

5. Recheck the preload measurement after adjusting.
6. Tighten the lock nut securely against the adjuster nut.

REAR SHOCK ADJUSTMENT GUIDE

IMPORTANT

Make sure rear shock preload is set correctly before changing compression and rebound settings below.

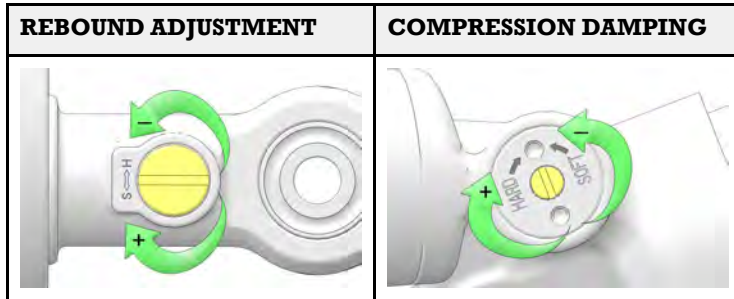
NOTICE

Turning adjusters fully clockwise (+) will result in a “full-in” position. While turning adjustments fully counter-clockwise (-) will result in a “full-out” position.

REAR SHOCK FACTORY SETTING

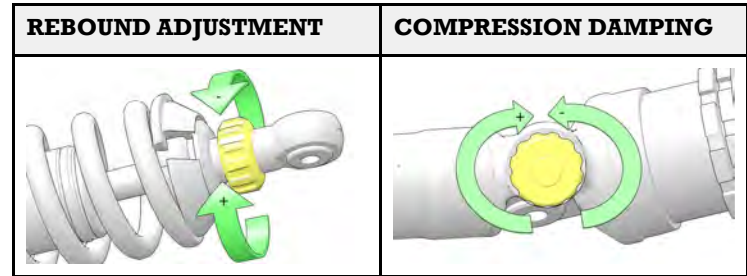
	FTR RALLY	FTR FTR SPORT	FTR R CARBON FTR X 100% R CARBON
Shock Rebound, upper end of shock	15 clicks out (<i>from full-in, 24 clicks total</i>)	17 clicks out (<i>from full-in, 24 clicks total</i>)	14 clicks out (<i>from full-in, 40 clicks total</i>)
Shock Compression, reservoir end of shock	N/A	1.5 turns out (<i>from full-in, 3 turns total</i>)	15 clicks out (<i>from full-in, 22 clicks total</i>)
Shock Spring Ends Installed Length	180 mm (range 185 - 185 mm)	174 mm (range 179 - 149 mm)	168 mm (range 180 - 152 mm)

FTR RALLY / FTR / FTR SPORT



RIDING TYPE:	SHOCK REBOUND	SHOCK COMPRESSION
Low Speed Riding (Urban)	19 clicks out	2.5 turns out
General Riding (Town/Highway)	15 clicks out	1.5 turns out
General Riding (2-up)	5 clicks out	1 turns out
Aggressive Riding (Track)	5 clicks out	0.75 turns out

FTR R CARBON / FTR X 100% R CARBON



RIDING TYPE:	SHOCK COMPRESSION	SHOCK REBOUND
Low Speed Riding (Urban)	20 clicks out	17 clicks out
General Riding (Town/Highway)	15 clicks out	14 clicks out
General Riding (2-up)	13 clicks out	12 clicks out
Aggressive Riding (Track)	12 clicks out	14 clicks out

SWING ARM/REAR AXLE INSPECTION

1. Sit in the operator's seat and slowly bounce the rear suspension a few times. Make sure the suspension moves freely without binding. Listen for abnormal noises.
2. Elevate and support the motorcycle with the rear tire slightly off the floor. See the Elevating the Motorcycle section for details.

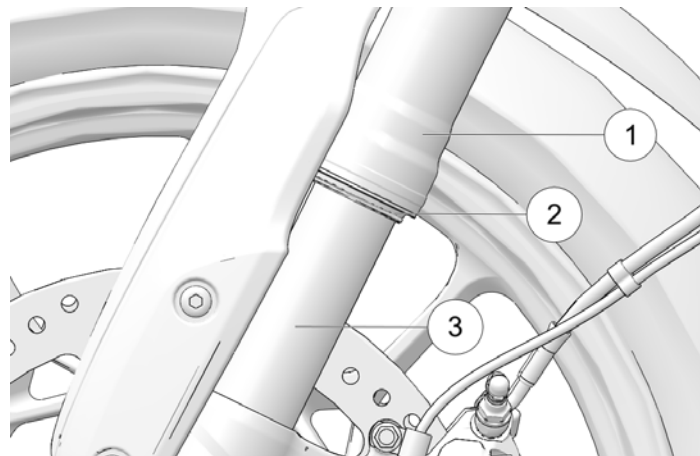
⚠ CAUTION

Make sure the motorcycle is stable when elevated. Personal injury and/or damage to the vehicle may occur if the motorcycle tips or falls.

3. Grasp the rear wheel and attempt to move the wheel side-to-side. If there is movement at the front of the swingarm or in the axle area, see your dealer for service.
4. With the transmission in neutral, slowly rotate the rear wheel. If the wheel does not rotate smoothly, see your dealer for service.

FRONT FORK/SUSPENSION INSPECTION

1. Place the motorcycle on the sidestand and inspect the front forks. If fork oil is present on the outer tube ①, *do not ride the motorcycle*. See your dealer for service before operating. If fork oil is present around the fork seals ② or inner tubes ③, replace the fork seals.



2. Clean the fork tubes to remove bugs, tar or buildup which may cause seal wear or leakage. Inspect the outer surfaces of the inner fork tubes for scratches or damage from foreign objects.

3. Straddle the motorcycle and bring it to the fully upright position. Apply the front brake and push downward (hard) on the handlebars several times. The front suspension should operate smoothly and quietly.
4. Fork oil condition and level affects front suspension performance and internal component wear. Replace fork oil at the recommended intervals. Special tools are required to perform this procedure. See the *INDIAN MOTORCYCLE Service Manual* or an authorized INDIAN MOTORCYCLE dealer or other qualified dealer.

FRONT FORK ADJUSTMENT GUIDE

NOTICE

Turning adjusters fully clockwise (+) will result in a “full-in” position. While turning adjustments fully counter-clockwise (-) will result in a “full-out” position.

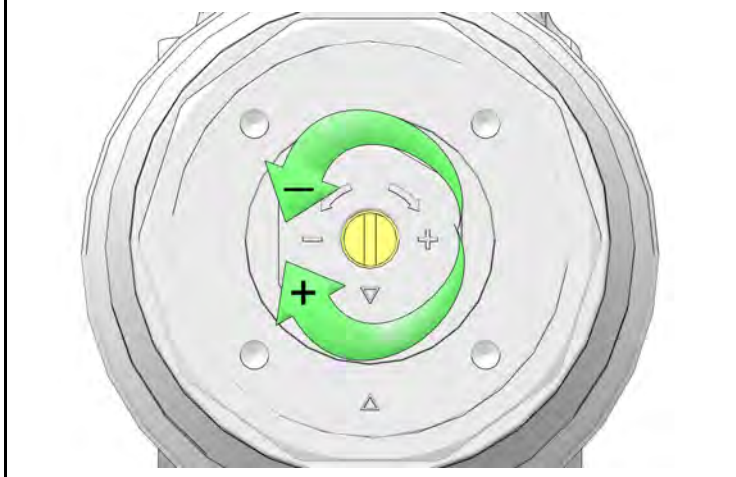
FRONT FORK FACTORY SETTINGS

	FTR RALLY	FTR FTR SPORT	FTR R CARBON FTR X 100% R CARBON
Fork Rebound, right side screw slot	7 clicks (<i>out from full-in</i>)	10 clicks (<i>out from full-in, 20 click range total</i>)	16 clicks (<i>out from full-in, 28 click range total</i>)
Fork Compression, left side screw slot	10 clicks (<i>out from full-in</i>)	10 clicks (<i>out from full-in, 20 click range total</i>)	18 clicks (<i>out from full-in, 28 click range total</i>)
Fork Preload, 19 mm hex	5 turns (<i>in from full-out</i>)	3 turns (<i>in from full-out, 10 turn range total</i>)	9 turns (<i>in from full-out, 10 turn range total</i>)

MAINTENANCE

FTR RALLY / FTR / FTR SPORT

RECOMMENDED DAMPING SETTINGS



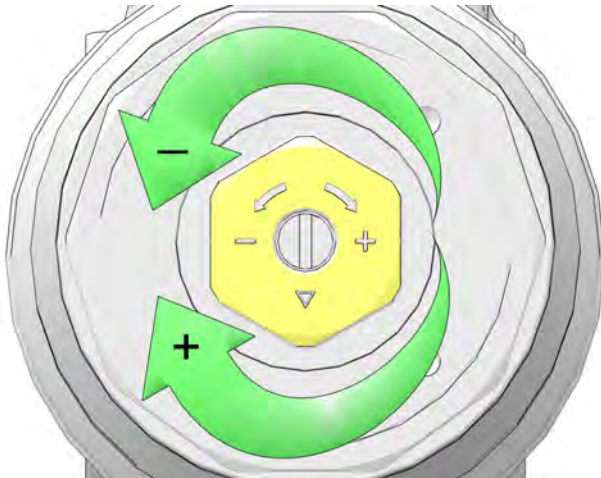
RIDING TYPE:	COMPRESSION (LEFT-HAND FORK)	REBOUND (RIGHT-HAND FORK)
General Riding (2-up)	10 clicks out	5 clicks out
Aggressive Riding (Track)	5 clicks out	4 clicks out

RIDING TYPE:	COMPRESSION (LEFT-HAND FORK)	REBOUND (RIGHT-HAND FORK)
Low Speed Riding (Urban)	17 clicks out	14 clicks out
General Riding (Town/Highway)	10 clicks out	7 clicks out

Adjustments can be made to the fork to increase or decrease pre-load for a personal rider preference.

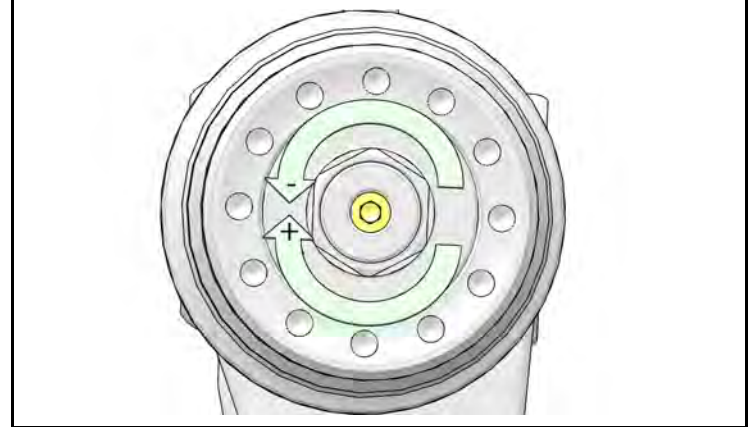
IMPORTANT

Make sure both forks are adjusted evenly.



FTR R CARBON / FTR X 100% R CARBON

RECOMMENDED DAMPING SETTINGS



RIDING TYPE:	COMPRESSION (LEFT-HAND FORK)	REBOUND (RIGHT-HAND FORK)
Low Speed Riding (Urban)	22 clicks out	18 clicks out
General Riding (Town/Highway)	18 clicks out	16 clicks out

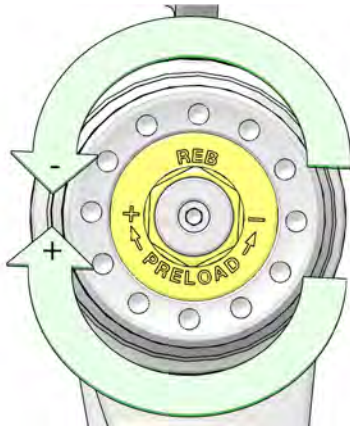
MAINTENANCE

RIDING TYPE:	COMPRESSION (LEFT-HAND FORK)	REBOUND (RIGHT-HAND FORK)
General Riding (2-up)	15 clicks out	14 clicks out
Aggressive Riding (Track)	14 clicks out	19 clicks out

Adjustments can be made to the fork to increase or decrease pre-load for a personal rider preference.

IMPORTANT

Make sure both forks are adjusted evenly.



STEERING HEAD INSPECTION

1. Elevate and support the motorcycle with the front tire slightly off the floor. See the Elevating the Motorcycle section for details.



Make sure the motorcycle is stable when elevated. Injury may occur if the motorcycle tips or falls.

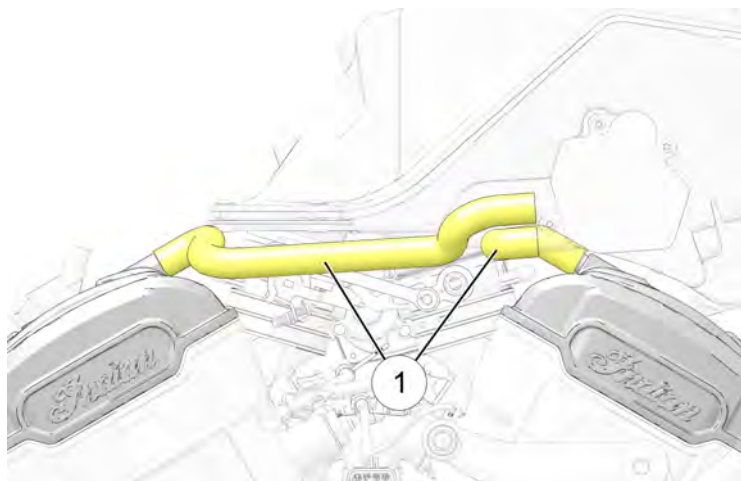
2. Turn the handlebars from stop to stop. The action should be smooth but not loose. Make sure wires, hoses and control cables do not interfere with smooth steering.
3. Position the front wheel straight ahead. Grasp the front forks near the front axle and attempt to move the wheel front-to-back. If there is front-to-back movement at the steering head, see your dealer for service.
4. If steering binds, feels rough or uneven, or if movement is detected at the steering stem, see your dealer for service.
5. Rotate the front wheel and inspect for smooth rotation of front wheel bearings. If roughness or unusual sounds are present, see your dealer for service.
6. Turn handle bars full right or left and hold against the fork stop. Attempt to move front wheel side-to-side. If movement is observed, see your dealer for service.

FUEL SYSTEM COMPONENTS

1. Inspect fuel hoses for cracks or damage.
2. Inspect hose connections at the fuel tank and at the fuel rail for dampness or stains from leaks.
3. The fuel system is under pressure and caution must be used when inspecting and servicing the fuel system. See the *INDIAN MOTORCYCLE Service Manual* or an authorized INDIAN MOTORCYCLE dealer or other qualified dealer.

CRANKCASE BREATHER HOSES

Inspect the crankcase breather (vent) hoses ① each time the fuel tank is removed to perform air filter service or other maintenance. Inspect both breather hoses along their length and at both ends. Make sure hoses are not restricted, kinked, cracked or otherwise damaged. Replace any worn or damaged hoses.



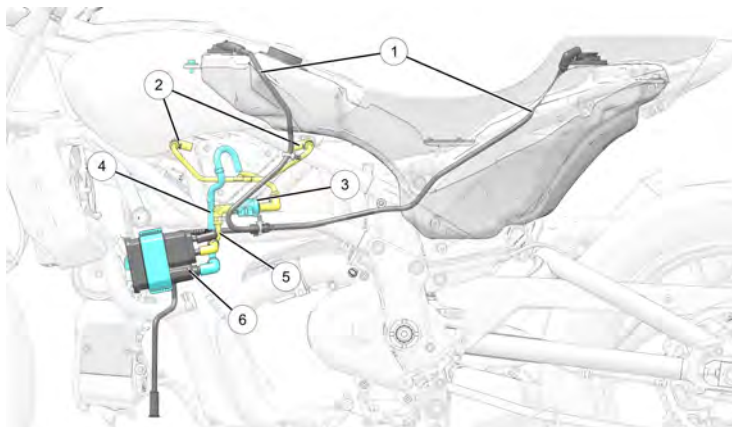
THROTTLE CONTROL INSPECTION

1. With the engine OFF, rotate the throttle control grip fully open and then release it. It should rotate smoothly from the rest position to the completely open position. It should return to the rest position quickly when released.
2. Repeat the twist and release process with the handlebars turned fully *right* and fully *left*.
3. Service the throttle system if throttle operation is not smooth or if throttle grip does not return properly. See the *INDIAN MOTORCYCLE Service Manual* or an authorized INDIAN MOTORCYCLE dealer or other qualified dealer.

EVAPORATIVE EMISSION CONTROL SYSTEM

IMPORTANT

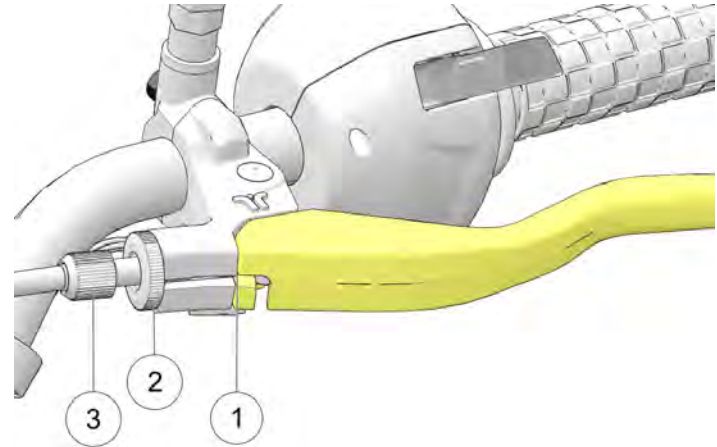
The fuel tank vent line is routed to a vapor canister where the fuel vapor is stored until specific operating parameters are met and the ECM opens the purge valve. Fuel vapor is then routed out of the vapor canister, through the purge valve and into the throttle body for combustion. Inspect all EVAP lines for abrasion or wear. Check that all connections for both vent and canister purge systems are securely attached.



NUMBER	DESCRIPTION
①	Fuel Tank Vent Hose
②	Purge Hose (Purge Valve to Throttle Body)
③	Canister Purge Valve
④	Evaporative Emissions Vapor Canister Vent Hose
⑤	Purge Hose (Canister to Purge Valve)
⑥	Evaporative Emissions Vapor Canister

MECHANICAL CLUTCH LEVER FREE PLAY

1. With handlebars pointing straight ahead, measure the clutch lever free play at point shown ① between lever and perch.



MEASUREMENT

Clutch Lever Free Play:
.019-.059 in (0.5-1.5 mm)

2. Compare measurement to specification. If adjustment is required, proceed to Step 3.
3. Locate the jam nut ② and barrel adjuster ③.

MAINTENANCE

4. Hold cable and loosen the adjuster jam nut.
5. Turn cable adjuster in or out until clutch free play is correct.
6. Hand-tighten adjuster jam nut.

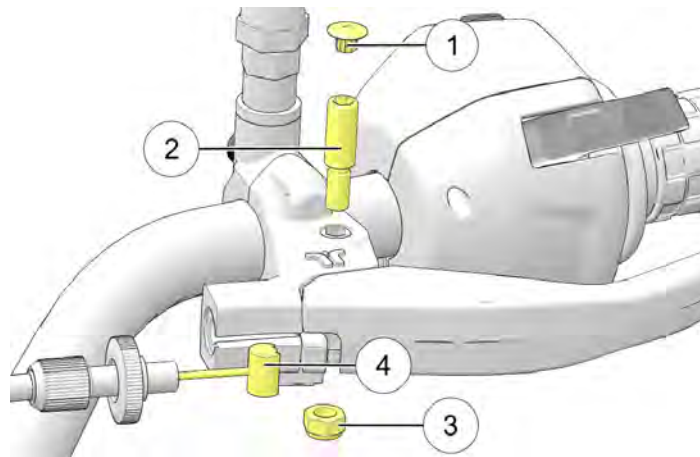
CLUTCH LEVER LUBRICATION

NOTICE

The clutch cable is factory-lubricated. Additional lubrication could be detrimental to cable performance. Replace the clutch cable assembly if binding or sticking occurs. **DO NOT** lubricate between the cable and sheath.

1. Disconnect clutch cable at primary cover.
2. Pull cable housing out of lever perch and remove barrel from clutch lever. Verify proper routing and smooth movement. Inspect for damage to the external casing, and inspect exposed cable wire for fraying, kinks or corrosion. Replace any damaged, sticky or sluggish cable.

3. Remove the pivot bolt cap ①, nut ③ and push pivot bolt ② upward to remove.



4. Inspect both ends of inner cable for frayed strands. Clean parts and apply all-purpose grease to pivot bolt.
5. Lubricate the barrel ends ④ with all-purpose grease.

NOTICE

Lubricate control cable barrel ends at the intervals recommended in the Periodic Maintenance Table.

6. Assemble lever.

7. Install cable to lever. Rotate cable back through slot in perch, and push outer casing back into perch recess.
8. Install the pivot bolt and torque the nut to specification.

TORQUE

Clutch Lever Pivot Nut:
49 in-lbs (5.5 N·m)

9. Lubricate and attach lower end of cable to clutch arm on primary cover.
10. Adjust clutch lever free play.

SIDE STAND LUBRICATION

Periodically lubricate the side stand bushing. See page 68 for side stand inspections.

REAR BRAKE PEDAL

1. Lubricate the pivot bushing at the intervals recommended in the Periodic Maintenance Table. Also lubricate any time binding is evident. Use all-purpose grease.
2. Inspect brake pads as outlined in the Brake Disc Inspection / Cleaning section.

BRAKE HOSES/CONNECTIONS

Inspect all brake hoses and connections for dampness or stains from leaking or dried fluid. Tighten any leaking connections and replace components as necessary. See the *INDIAN MOTORCYCLE Service Manual* or an authorized INDIAN MOTORCYCLE dealer or other qualified dealer.

BRAKE FLUID PRECAUTIONS

 **WARNING**

Clean filler cap before removing. Use only DOT 4 brake fluid from a sealed container. Using the wrong fluid or allowing air or contaminants into the fluid system can damage the system seals or result in a malfunction that could lead to serious injury or death.

Do not operate the front brake with the reservoir cover removed. Fluid could overflow from the reservoir and allow air to enter the system. Air in the brake system could cause the brakes to malfunction.

An over-full reservoir may cause brake drag or brake lock-up, which could result in serious injury or death. Maintain brake fluid at the recommended level. Do not overfill.

NOTICE

Brake fluid will damage painted surfaces and plastic parts. Always clean spilled brake fluid immediately with water and a mild detergent.

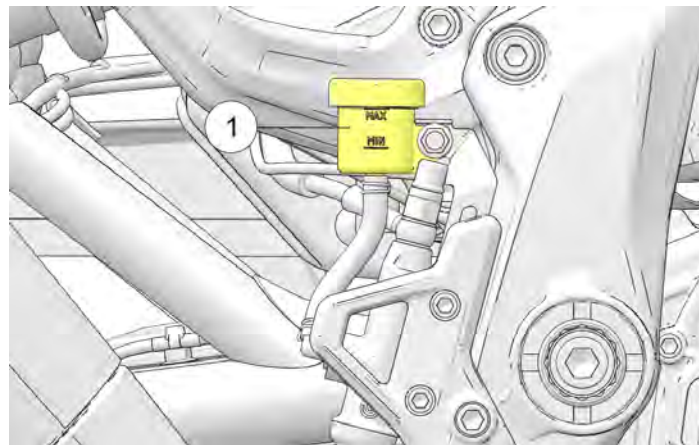
MAINTENANCE

REAR BRAKE FLUID

Change the brake fluid at the intervals recommended in the Periodic Maintenance Table. Always add brake fluid from a new, unopened container. Always use the recommended fluid. See page 159.

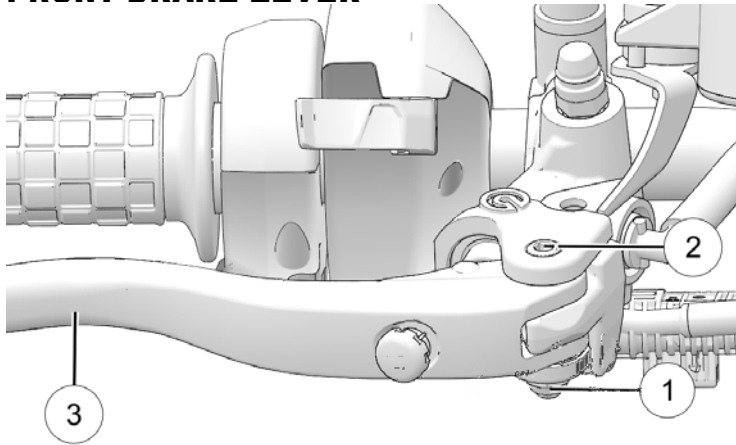
1. Position the motorcycle on level ground in the fully upright position.
2. The rear brake fluid reservoir is located near the rear brake pedal. View the reservoir from the right side of the vehicle.
3. Wipe the fluid container and the area around the reservoir cover with a clean cloth.
4. If the fluid level is low, inspect brake pads as outlined on page 127. If pads are not worn beyond the service limit, inspect the brake system for leaks.

5. Remove the cover and diaphragm. The fluid level should be above the minimum indicator mark on the reservoir body ①. Add brake fluid as needed. *Do not overfill.*



6. Reinstall the cover and diaphragm. Hand-tighten cover.
7. Wipe away any fluid spills. Check for signs of brake fluid leaks around hoses, fittings, reservoir, and brake calipers.

FRONT BRAKE LEVER



1. Remove the nut ① and pivot fastener ②.
2. Clean pivot bolt, lever and lever perch.
3. Remove brake lever and apply grease to pivot fastener ②, lever bushing, and pushrod contact surface of lever ③ as shown.

4. Assemble brake lever.
5. Torque brake lever pivot fastener nut to specification.

TORQUE

Brake Lever Pivot Fastener:
52 in-lbs (6 N·m)

FRONT BRAKE FLUID

Change the brake fluid at the intervals recommended in the *Periodic Maintenance Table* section.

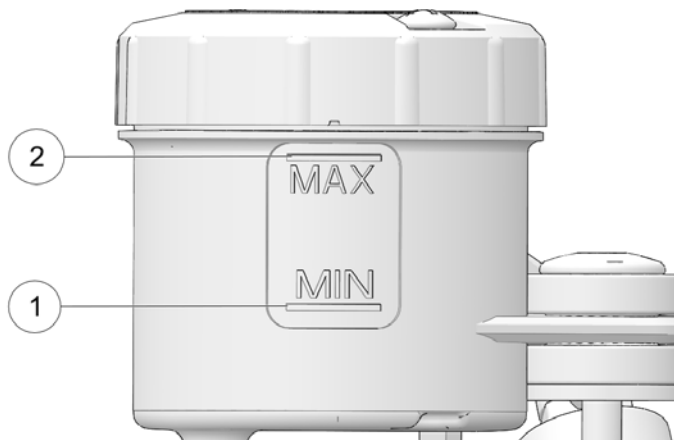
WARNING

Do not attempt to change the anti-lock brake system fluid. Please see your dealer for this service.

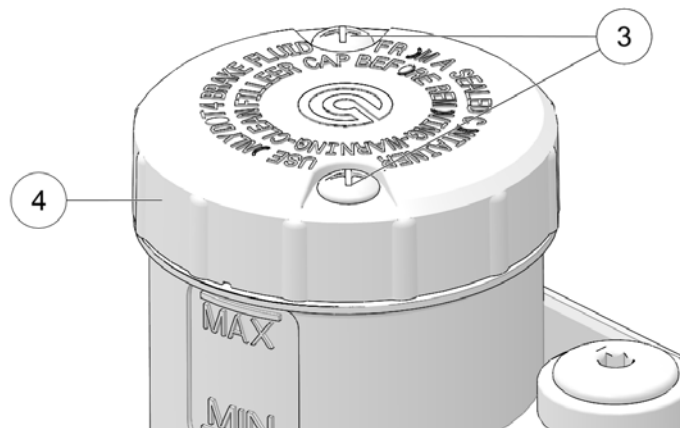
Always add brake fluid from a new, unopened container. Always use the recommended fluid. See page 159.

MAINTENANCE

1. Position the motorcycle on level ground in the fully upright position. Position the handlebars so that the fluid reservoir is level. Wipe the fluid container and the area around the reservoir cover with a clean cloth.



2. View front brake fluid level through the fluid reservoir. The fluid should be clear and between the MIN ① and MAX ② markings. If the fluid level is low, inspect brake pads as outlined on page 127. If pads are not worn beyond the service limit, inspect the brake system for leaks.



3. To add fluid, remove cover screws ③, reservoir cover ④.
4. Add DOT 4 brake fluid as needed to bring level to between the MIN ① and MAX ② markings. *Do not overfill.*
5. Reinstall the reservoir cover and torque screws to specification.

TORQUE

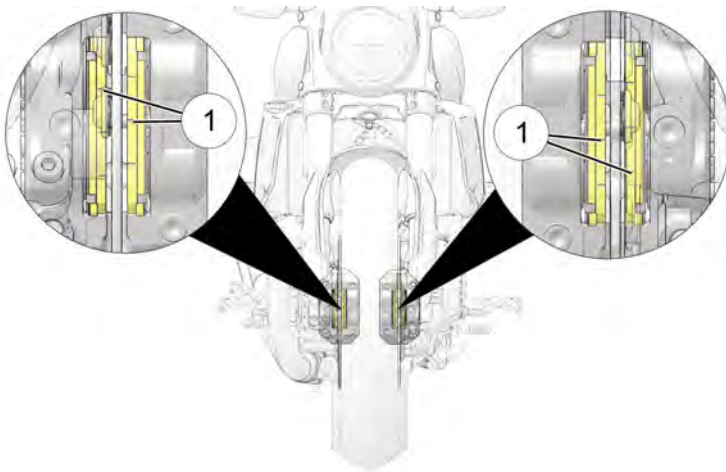
Front Master Cylinder Cap Screws:
13 in-lbs (1.4 N·m)

6. Wipe away any fluid spills. Check for signs of brake fluid leaks around hoses, fittings, reservoir and brake calipers. Check for deterioration of hoses.

FRONT BRAKE PAD INSPECTION

NOTICE

Wear indicator grooves are provided on each front brake pad to allow for a visual inspection without pad removal. Inspect pads by viewing from rear of caliper. Replace pads if worn to bottom of grooves.



1. Viewing the front brake pads from the front of the calipers, locate the wear indicator grooves ①.
2. Wear indicator grooves should be visible on both inboard and outboard brake pads.

CAUTION

Front brake pads should always be replaced as a complete set. If it is determined that an individual brake pad has worn past the wear indicator groove, the front caliper should receive a new pad set. Failure to replace both front brake pads together may cause reduced braking performance or brake failure, resulting in a vehicle crash.

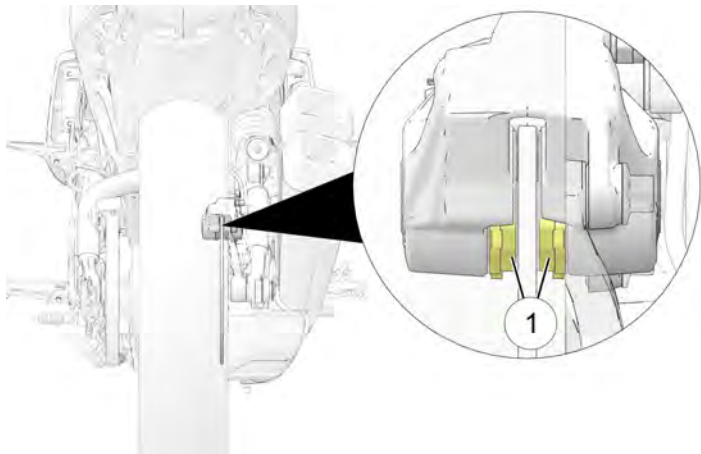
REAR BRAKE PAD INSPECTION

NOTICE

Wear indicator grooves are provided on each rear brake pad to allow for a visual inspection without pad removal. Inspect pads by viewing from the rear of the motorcycle, directly behind the muffler. Replace pads if worn to bottom of grooves.

MAINTENANCE

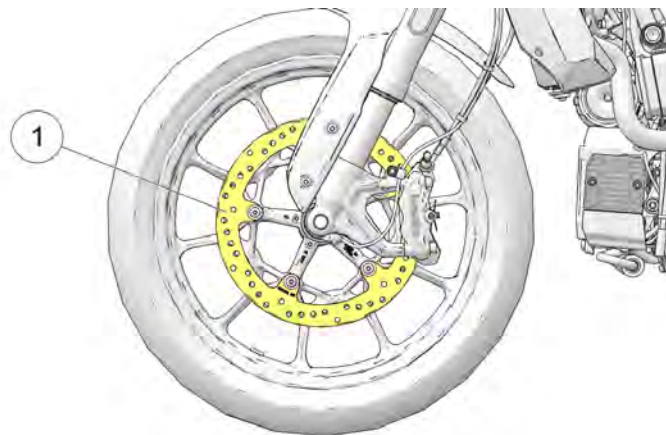
1. Place the motorcycle in an upright position with the front wheel clamped in a wheel vise.
2. Viewing the rear brake pads from behind the motorcycle and below the lip of the rear fender, locate the wear indicator grooves ①.



3. Wear indicator grooves should be visible on both inboard and outboard brake pads.

BRAKE DISC INSPECTION/CLEANING

1. Inspect brake discs ① for nicks, scratches, cracks or other damage. Inspect the thickness of each brake disc at four or more locations around the disc. If any disc is worn to the minimum thickness of 0.18 in (4.5 mm) at the thinnest point, or if a disc is damaged, see your dealer for replacement.



2. Clean discs if minor squeaks develop due to dirt or dust. Apply brake cleaner to a clean shop towel and wipe the discs. DO NOT allow brake cleaner to contact painted or plastic parts. Read all precautions on the label.

WHEEL INSPECTION

Inspect both wheels for cracks or damage and replace damaged wheels promptly. Do not operate the motorcycle if wheels are damaged or cracked. See the *INDIAN MOTORCYCLE Service Manual* or an authorized INDIAN MOTORCYCLE dealer or other qualified dealer.

WHEEL ALIGNMENT

Inspect rear wheel alignment at regular service intervals, whenever the rear wheel is removed and when the rear drive chain is adjusted. Please see your dealer for this service.

FRONT WHEEL REMOVAL / INSTALLATION

WARNING

This procedure requires raising and supporting the motorcycle so that the front wheel is off the ground. Precautions should be taken to ensure the motorcycle is properly stabilized at all times. Failure to properly support motorcycle may result in serious injury or damage to the motorcycle.

CAUTION

Do not twist the brake hose or brake line. Do not allow calipers to hang from the brake hose. Secure calipers in such a way to avoid hose damage.

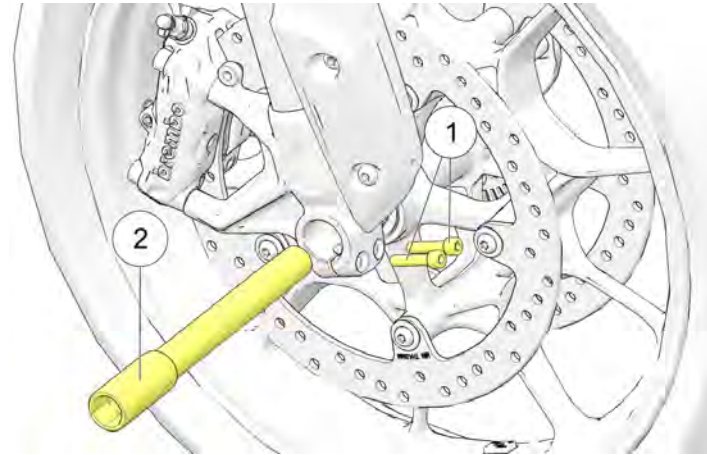
1. Secure the motorcycle in an upright position with tie-down straps and a platform jack positioned beneath the engine cases.

IMPORTANT

Do not operate the front brake lever with the calipers or wheel removed.

REMOVAL

2. Remove front brake calipers.
3. Loosen axle pinch bolts ① on lower right fork leg.



MAINTENANCE

- Support wheel and remove axle ② with 22 mm hex drive. Spacers are loosely retained by the dust seals, but may fall out after wheel has been removed.

INSTALLATION

- Install front wheel and spacers into fork.
- Install the axle and torque to specification.

TORQUE

Axle (front fork):
55 ft-lbs (75 N·m)

- Cycle the front suspension. Tighten axle pinch bolts to specification.

TORQUE

Axle Pinch Fasteners:
14 ft-lbs (19 N·m)
Tighten each screw once after initial torque

- Reinstall front brake calipers.

TIRES

WARNING

Operating the motorcycle with incorrect tires, incorrect tire pressure or excessively worn tires could cause loss of control or serious injury. Underinflation can cause a tire to overheat and result in a tire failure. Only use tires approved by INDIAN MOTORCYCLE for the model of the motorcycle. See your dealer. Use of unapproved or an improperly mixed front and rear tire can result in decreased handling performance and stability, potentially leading to reduced control of the motorcycle. Always maintain proper tire pressure as recommended in the rider's manual and on safety labels.

TIRE REPLACEMENT

Tires, rims, and air valves must be correctly matched to wheel rims. Only use tires approved by INDIAN MOTORCYCLE for the model of the motorcycle. See your dealer. Use of unapproved or an improperly mixed front and rear tire can result in decreased handling performance and stability, potentially leading to reduced control of the motorcycle. INDIAN MOTORCYCLE-recommended tires provide proper clearance between fenders, swingarm, drive chain and other components. See the Specifications section for details.

WARNING

Mismatched tires, rims and air valves may result in damage to the tire bead during mounting or may allow the tire to slip off the rim, possibly resulting in tire failure.

TIRE CONDITION

Inspect the tire sidewalls, road contact surface, and tread base for cuts, punctures, and cracking. Replace damaged tires immediately. See the *INDIAN MOTORCYCLE Service Manual* or an authorized INDIAN MOTORCYCLE dealer or other qualified dealer.

TIRE TREAD DEPTH

Replace any tire with a tread depth of less than 1/16 in (1.6 mm).

Tread wear indicators are located in at least three places on the tread circumference and become visible at a tread depth of approximately 1/16 in (1.6 mm). The tread wear indicators appear as a solid band across the tread.

You may also use a depth gauge or an accurate ruler to measure the depth of the center tire tread on both front and rear tires.

TIRE PRESSURE

Always check and adjust tire pressure when tires are cold. Do not adjust tire pressure immediately after riding. Wait at least 3 hours after riding to check pressure. If pressure checked and adjusted while tires are warm, the pressure will drop as tires cool and result in under inflation.

MODEL	LOCATION	BRAND/TYPER/SIZE	RECOM- MENDED PRESSURE
FTR Rally	Front	Pirelli® Scorpion® Rally STR 120/70 R19 60V	36 psi (248 kPa)
	Rear	Pirelli® Scorpion® Rally STR 180/70 R18 70V	40 psi (276 kPa)
FTR FTR Sport	Front	Metzeler® Sportec® M9 RR 120/70 ZR17 58W	36 psi (248 kPa)
	Rear	Metzeler® Sportec® M9 RR 180/55 ZR17 73W	40 psi (276 kPa)
FTR R Carbon FTR X 100% R Carbon	Front	Metzeler® Sportec® M9 RR 120/70 ZR17 58W	36 psi (248 kPa)
	Rear	Metzeler® Sportec® M9 RR 180/55 ZR17 73W	40 psi (276 kPa)

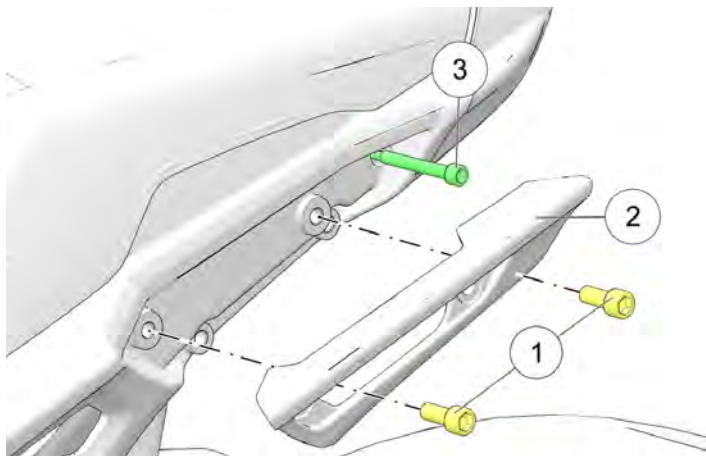


WARNING

Do not exceed the maximum recommended inflation pressure to seat the bead. Tire or rim failure may result causing serious injury or death.

SEAT REMOVAL

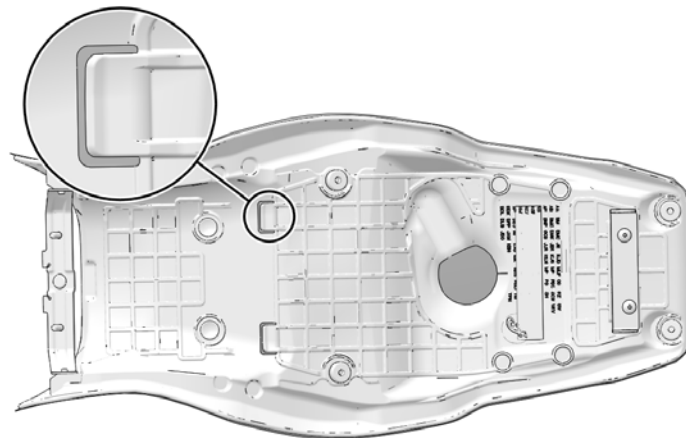
1. Remove both Passenger Grab Handle Fasteners ① and Grab Handles ②.



2. Remove Seat Fasteners ③.
3. Lift up on the rear of the seat and pull rearward to disengage the front of the seat from frame.

SEAT INSTALLATION

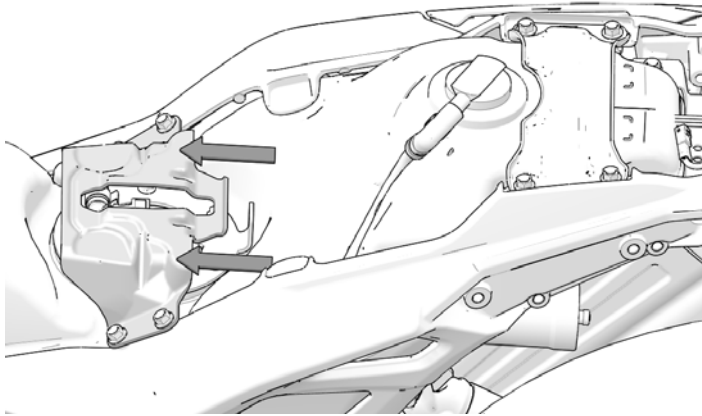
1. Identify two tabs located on the underside of the seat.



2. Slide the tabs shown above beneath the support bracket and into the front mounting bracket.

TIP

Pull up on the rear of the seat prior to installing fasteners to assure front tab engagement.



SPARK PLUGS

See your dealer for spark plug inspections and replacement at the intervals specified in the Periodic Maintenance Table.

SPARK PLUG SPECIFICATIONS	
Spark Plug Type	NGK® MR7F
Spark Plug Gap	.030 in (0.80 mm)
Spark Plug Torque	7.5 ft-lbs (10 N·m)

HEADLIGHT AIM INSPECTION

On LOW beam, the top of the horizontal cut-off of the light beam ① should be 4 in (10.2 cm) lower than the center of the headlight bulb and centered straight ahead at 32 ft 10 in (10 m).

1. Verify that tire pressure is at specification.
2. Verify that rear suspension ride height (preload) is at specification.
3. Position the motorcycle on a level surface with the headlight 32 ft 10 in (10 m) from a wall.
4. With the operator and passenger (if applicable) on board, bring the motorcycle to the fully upright position.
5. Start the engine and switch the headlight to low beam. Observe the headlight aim on the wall.
6. Make any necessary adjustments to headlight aim.

3. Secure the rear of the seat with the two fastener screws.

TORQUE

Seat Fasteners:
84 in-lbs (9.5 N·m)

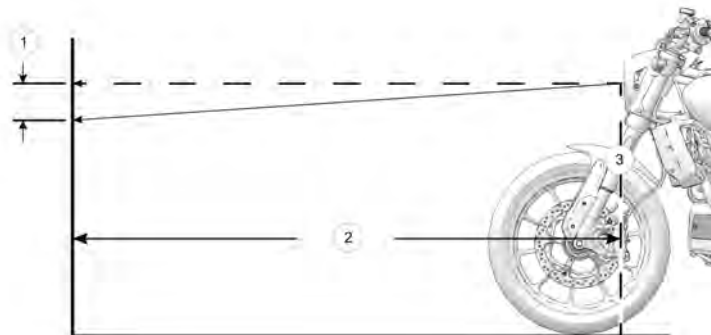
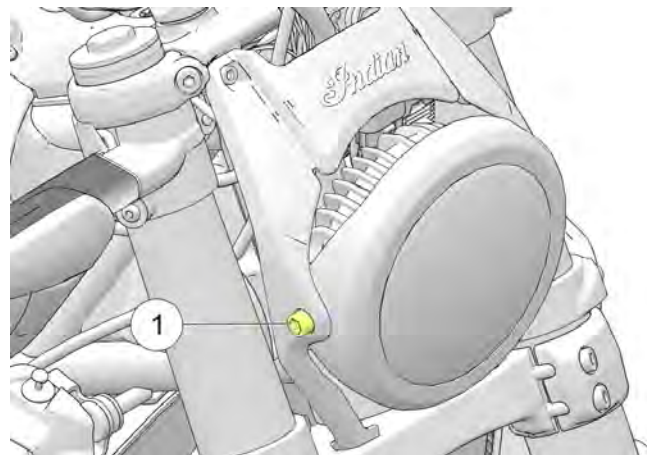
4. Reinstall the two passenger grab handles with two screws per handle.

TORQUE

Passenger Grab Handle Fasteners:
19 ft-lbs (26 N·m)

HEADLIGHT AIM ADJUSTMENT

1. To adjust the headlamp vertically, loosen the two housing mount fasteners ① (one on each side) and pivot the housing upward or downward. Tighten the fasteners to specification.



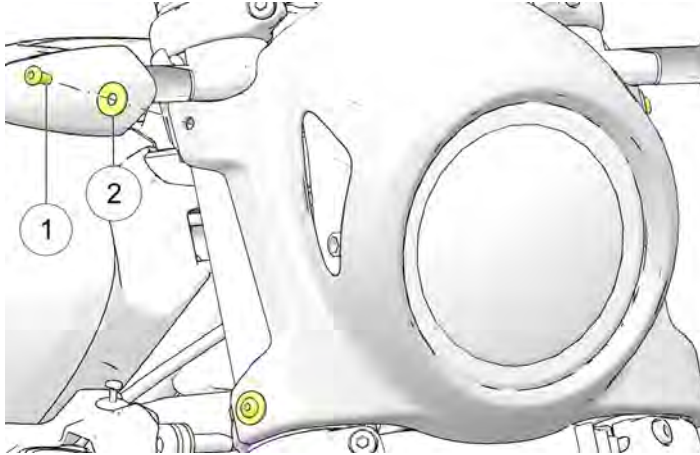
NUMBER	DESCRIPTION
①	Measure distance = 4 in (10.2 cm)
②	Measure distance = 32 ft 10 in (10 m)
③	Headlight Center

TORQUE

Headlight Adjustment Fastener:
25 ft-lbs (34 N·m)

HEADLIGHT COWL REMOVAL (IF APPLICABLE)

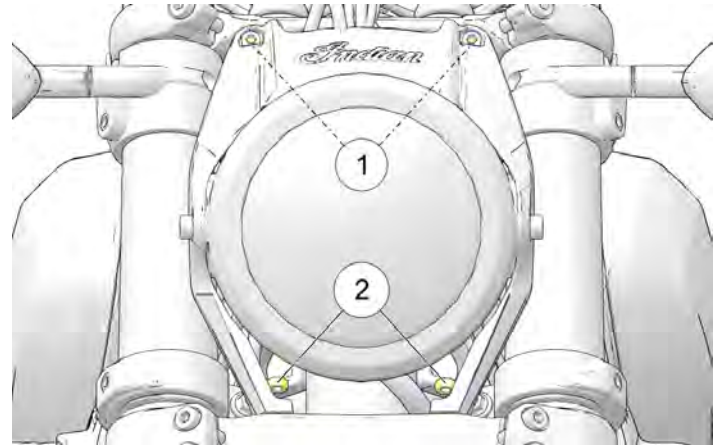
1. Remove and retain four screws ① and four washers ② from the headlight cowl.



2. Remove headlight cowl and set aside for reinstallation.

HEADLIGHT REMOVAL

1. Remove and retain two screws ① from top of headlight bracket.



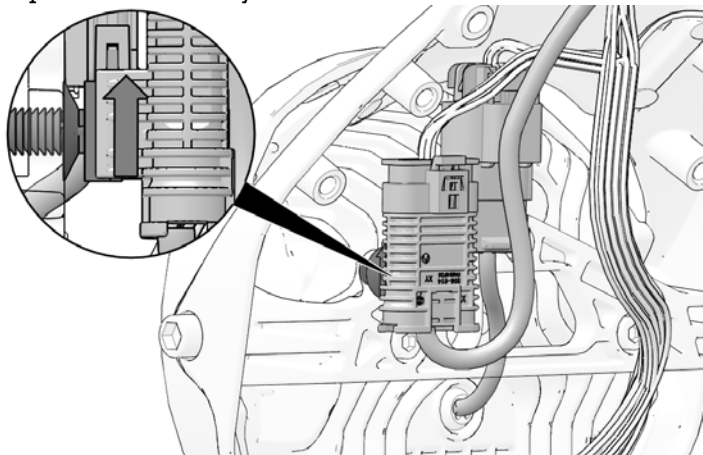
2. Remove and retain two nuts ② from bottom of headlight bracket.

TIP

Turn handlebars lock-to-lock to access two nuts from rear-side.

MAINTENANCE

3. With headlight assembly unmounted, tilt assembly forward and slide electronic throttle control (ETC) connection off push-pin clip. It is not necessary to disconnect harnesses.



4. Disconnect headlight from chassis harness. Headlight connector will remain installed onto push-pin clip.
5. Carefully set headlight assembly aside on soft surface as to not scratch finished surfaces.

BATTERY

The motorcycle battery is a sealed, maintenance-free battery. Do not remove the battery cap strip for any reason. Keep the battery connections clean and tight at all times.

WARNING

Battery electrolyte is poisonous. It contains sulfuric acid. Serious burns can result from contact with skin, eyes or clothing.

External: Flush with water.

Internal: Drink large quantities of water or milk. Follow with milk of magnesia, beaten egg, or vegetable oil. Call physician immediately.

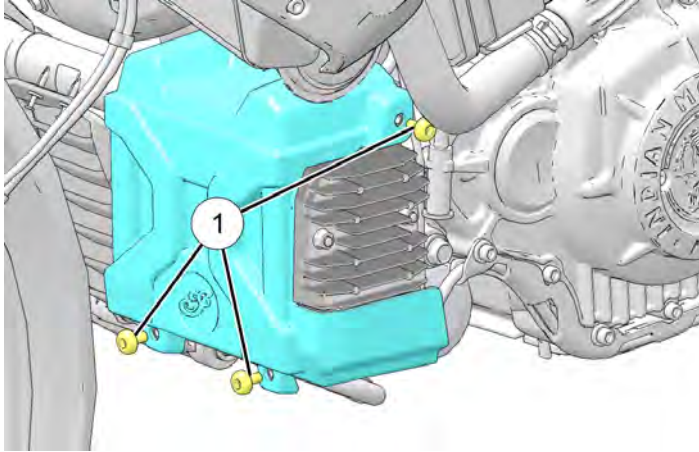
Eyes: Flush with water for 15 minutes and get prompt medical attention.

Batteries may produce explosive gases.

- Keep sparks, flame, cigarettes, etc. away.
- Ventilate when charging or using in an enclosed space.
- Always shield eyes when working near batteries
- **KEEP OUT OF REACH OF CHILDREN.**

BATTERY REMOVAL

1. Remove the battery cover by removing three fasteners ①.



2. Disconnect negative battery terminal.



CAUTION

Be careful not to cross battery terminals.

3. Disconnect positive battery terminal.
4. Remove battery from battery box.

BATTERY INSTALLATION

1. Install battery into battery box.
2. Connect the positive battery terminal and torque fastener to specification.

TORQUE

Battery Terminal Fastener:
25 in-lbs (3 N·m)

3. Connect the negative battery terminal and torque fastener to specification.

TORQUE

Battery Terminal Fastener:
25 in-lbs (3 N·m)

4. Install battery cover and three fasteners.

TORQUE

Battery Cover Fastener:
36 in-lbs (4 N·m)

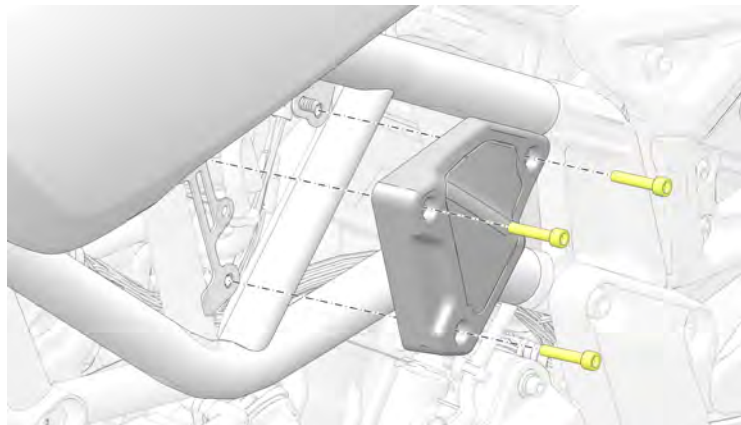
BATTERY CHARGING AND MAINTENANCE

IMPORTANT

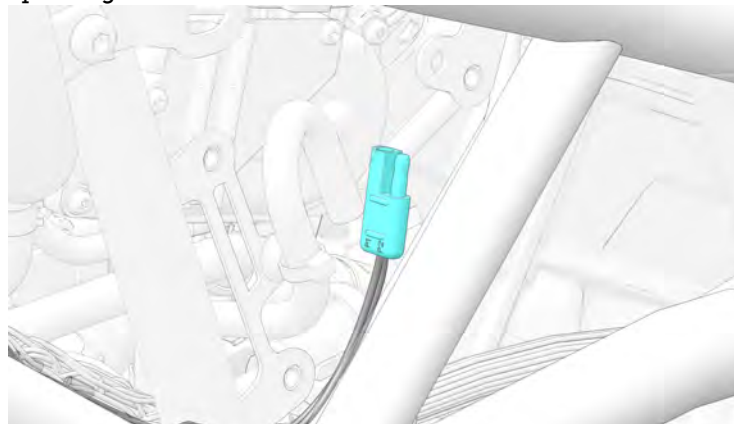
Read and follow the safety precautions listed on the battery and the proper battery charging procedures outlined in the Owner's Manual.

If your motorcycle will not be used for a period of two weeks or longer, a maintenance charger should be connected to the battery using the Battery Charge Port.

Your motorcycle is equipped with a SAE bullet style connector for quick access to charging the battery. The connector is located behind the left-hand side V cover and taped to the chassis harness.



Carefully remove the tape to expose the connector and length of wire. Be sure to properly secure the wire and connector before operating the vehicle.



⚠ CAUTION

Before connecting a battery charger to the Battery Charge Port, ensure the vehicle has cooled to ambient temperature. Do not allow cables to rest on hot or sharp surfaces while charging.

AGM BATTERY CHARGER RECOMMENDATIONS

INDIAN MOTORCYCLE recommends using the BatteryMINDER® 2012 AGM - 2 A battery charger (PN 2830438) to charge and maintain AGM batteries. The charger can be found on the POLARIS or INDIAN MOTORCYCLE websites, or purchased from your authorized INDIAN MOTORCYCLE dealer.

If you are not using the BatteryMINDER® 2012 AGM - 2 A battery charger, an automatic/constant monitoring AGM battery charger with a charging rate of 2 A or less is recommended to prevent damage to the battery.

Batteries that fall below 12.5 V run the risk of sulfation, a condition whereby sulfate crystals form inside the battery and significantly reduce performance. AGM chargers are designed specifically for charging AGM type batteries and use high frequency pulses to partially reverse sulfation.

IMPORTANT

The use of non-AGM battery chargers may result in a misleading “battery not found” or “open cell” fault message. Please ensure you are using the recommended AGM charger when charging AGM type batteries to prevent damage to the battery.

AGM BATTERY CHARGING RECOMMENDATIONS

If the motorcycle will not be driven for more than two weeks, maintaining the battery with the BatteryMINDER® 2012 AGM - 2 A battery charger (PN 2830438) is recommended.

Always use the recommended automatic battery charger, and wait for the charger to complete the charge cycle before you disconnect it.

AGM BATTERY MAINTENANCE TIPS

To help prolong battery life, it is recommended to remove the battery from vehicles stored two months or longer. To maximize the life of stored batteries, they should be kept in a cool / dry location. Batteries will self discharge more rapidly when stored in extreme heat. Batteries should be maintained using the recommended battery charger while in storage.

Batteries which are not connected to a vehicle should be charged every two months.

Batteries will self-discharge more quickly when dirty. Periodic cleaning of the battery terminals using a terminal brush will help maximize battery life. Wash terminals with a solution of one tablespoon baking soda and one cup water. Rinse well with tap water and dry off with clean shop towels. Coat the terminals with dielectric grease or petroleum jelly.

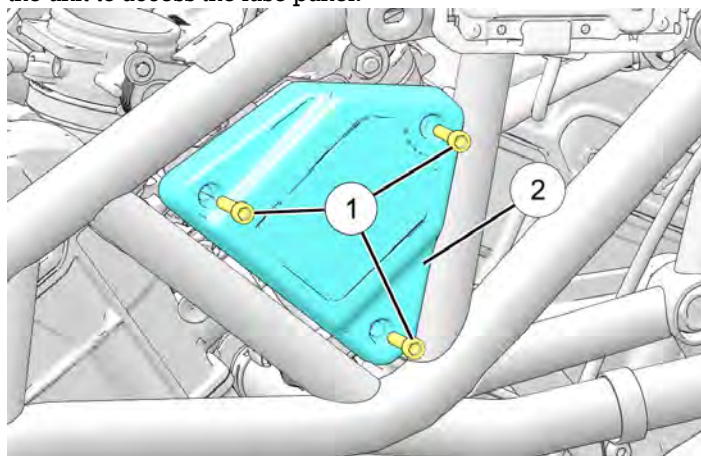
Battery connections should be tightened to the correct torque during installation. This will reduce voltage drop and ensure a reliable connection between the regulator/rectifier and battery.

MAINTENANCE

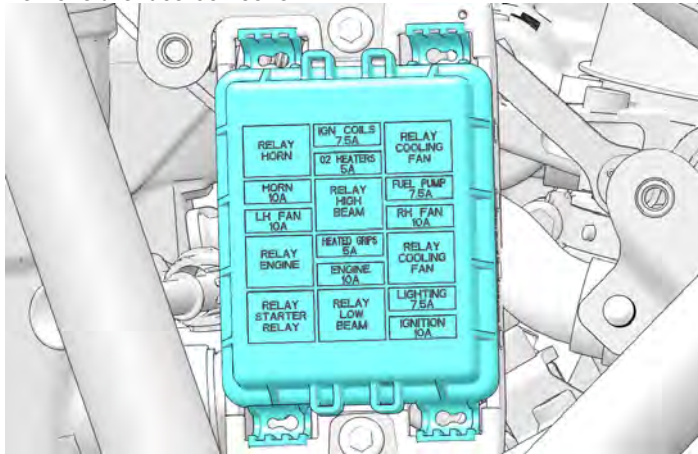
FUSE REPLACEMENT

The fuse panel is located on the right side of the unit.

1. Remove three fasteners ① and v-cover ② on the right side of the unit to access the fuse panel.



2. Remove the fuse box cover.



3. If any fuse is blown, turn off main switch. Install new fuse of specified amperage. Turn on switches and see if system operates correctly. Repeat fuse failure indicates an electrical problem.

⚠ CAUTION

Do not use fuses of a higher amperage rating than what is specified.

If the correctly rated fuse continues to blow, something is wrong and needs to be corrected. Substituting a higher amperage fuse can lead to extensive electrical system and vehicle damage.

4. Upon reassembly, torque cover fasteners to specification.

TORQUE

V-Cover Fastener:
36 in-lbs (4 N·m)

ELECTRICAL PRECAUTIONS

Be aware of the following precautions regarding the electrical system to avoid disruption of electrical signals and possible system malfunction.

- DO use ONLY genuine INDIAN MOTORCYCLE parts and accessories designed for your model, and follow the instructions provided.
- DO use the accessory power jack provided (if equipped).
- DO NOT splice or cut any wires.

MAINTENANCE

- DO NOT tap in to any power or ground on the motorcycle unless specifically directed to do so by the INDIAN MOTORCYCLE instructions that come with the kit.
- DO NOT back-probe electrical connectors on the vehicle unless directed to do so by the *INDIAN MOTORCYCLE Service Manual*.
- DO NOT power any accessories from the diagnostic connector.

EXHAUST SYSTEM INSPECTION

Check the exhaust system for stains from leaking exhaust gasses. Replace damaged or leaking exhaust gaskets. Check all exhaust system fasteners. Tighten loose clamps and fasteners. Do not overtighten. See the *INDIAN MOTORCYCLE Service Manual* or an authorized INDIAN MOTORCYCLE dealer or other qualified dealer.

NOTICE

Gasket is not reusable. Whenever a joint is taken apart, the gasket must be replaced.

ELEVATING THE MOTORCYCLE

WARNING

Serious injury or death can occur if the motorcycle tips or falls. Make sure the motorcycle will not tip or fall while elevated or while on the sidestand.

Some procedures require raising the motorcycle to remove weight from the component being inspected. Elevate the motorcycle by placing a stable, flat platform jack or lift mechanism on a firm, flat surface and lifting under the engine crankcase. The platform should be a minimum of 12 in (30 cm) square. DO NOT attempt to lift the motorcycle without proper equipment. Always secure the motorcycle properly before lifting so it cannot tip or fall when elevated.

FASTENER INSPECTION

1. Inspect the entire motorcycle chassis and engine for loose, damaged or missing fasteners. Tighten loose fasteners to the proper torque. See the *INDIAN MOTORCYCLE Service Manual* or an authorized INDIAN MOTORCYCLE dealer or other qualified dealer.
2. Always replace stripped, damaged or broken fasteners before riding. Use genuine INDIAN MOTORCYCLE fasteners of equal size and strength.

FASTENER TORQUES

Some procedures and fastener torques are not listed in this manual. See the *INDIAN MOTORCYCLE Service Manual* or an authorized INDIAN MOTORCYCLE dealer or other qualified dealer.

TROUBLESHOOTING

TROUBLESHOOTING

For your personal safety, do not attempt inspection or repairs not fully described in this rider's manual. Contact an authorized dealer for service if you cannot determine the cause of a problem or if the inspection/repair exceeds your mechanical ability or tool resources. Do not perform any inspection or repair with the engine running.

ENGINE CRANKS BUT WILL NOT START

POSSIBLE CAUSE	POSSIBLE REMEDY/ACTION
Low fuel	Verify fuel level
Fuel pump doesn't operate	Turn engine STOP switch to RUN. Turn the ignition key on. The fuel pump should run momentarily and then stop. Check the fuel pump/ignition circuit breaker. See page 140.
Battery voltage is too low	Fully charge the battery.
Fouled spark plug(s)	Please see your dealer.
Low compression	Please see your dealer for an engine compression test.
The IGN COIL fuse has become damaged or opened	Check fuse box to verify IGN COIL fuse is intact. See page 140.

STARTER MOTOR CLICKS, DOES NOT TURN OR TURNS SLOWLY

POSSIBLE CAUSE	POSSIBLE REMEDY/ACTION
Engine stop/run switch is in stop position	Place switch in RUN position.
Discharged battery	Fully charge the battery.
Loose or corroded battery cables	Inspect battery cables.
Transmission is in gear	Shift transmission into neutral or pull the clutch lever in to disengage the clutch. See page 74.

TROUBLESHOOTING

ENGINE STARTS BUT MISSES OR RUNS POORLY

TIP

Turn engine OFF before inspecting any of these items.

POSSIBLE CAUSE	POSSIBLE REMEDY/ACTION
Discharged battery	Fully charge the battery.
Loose or corroded battery cables	Inspect battery cables and connections.
Fouled spark plug(s)	Please see your dealer.
Contaminated fuel	Inspect fuel for water/contamination. Please see your dealer.
Engine oil level incorrect or wrong oil type	Inspect level and quality of oil.
Loose, broken, shorted ignition coil wires	Inspect coil primary wires. Please see your dealer.
Air intake restricted	Inspect air filter.
Intake leaks	Inspect air box, crankcase breather hoses, throttle body and intake boot joints.
IGN COIL fuse has become damaged or opened	Check fuse box to verify IGN COIL fuse is intact.

SHIFTING DIFFICULTIES OR HARD TO FIND NEUTRAL

POSSIBLE CAUSE	POSSIBLE REMEDY/ACTION
Clutch damage	Replace clutch.
Clutch cable not adjusted properly	Please see your dealer for inspection and adjustment.
Shift linkage not adjusted properly	Please see your dealer for inspection and adjustment.
Incorrect oil or oil in poor condition	Replace the oil with the recommended oil.

ENGINE OVERHEATING

POSSIBLE CAUSE	POSSIBLE REMEDY/ACTION
Debris lodged in radiator screen	Inspect and clean the screen.
Plugged radiator	Use a garden hose to flush any debris from the radiator fins. DO NOT use a high pressure washer, which can damage the radiator fins.
Blocked fan	Inspect fan, remove any blockage.
Fan doesn't operate	Please see your dealer.
Low coolant	Allow the engine to cool before checking coolant level. See page 105.
Air in cooling system	Please see your dealer.

BATTERY CHARGING RATE LOW OR BATTERY DISCHARGES

POSSIBLE CAUSE	POSSIBLE REMEDY/ACTION
Loose/Corroded Charging Circuit Connection	Check/clean battery cable connections. Check/clean charging circuit connections. Please see your dealer.
Accessory Load Exceeds Charge Rate	Limit accessory operation when the engine is off.
Improperly Wired Accessory (Current Draw)	Please see your dealer to check charging system output and current draw.

BRAKE NOISE/POOR BRAKE PERFORMANCE**NOTICE**

See your dealer if brake performance does not return after these inspections.

TROUBLESHOOTING

POSSIBLE CAUSE	POSSIBLE REMEDY/ACTION
Dust/Dirt On Brake Disc(s)	Clean disc. See the Brake Disc Inspection / Cleaning section.
Worn Pads Or Disc/Brake Disc Damage	Inspect pads. See the Brake Disc Inspection / Cleaning section.
Brake Fluid Level Low Or Fluid Contaminated	Inspect fluid level/fluid condition. See the Front Brake Fluid Level and Rear Brake Fluid Level sections.

ANTI-LOCK BRAKE LIGHT REMAINS ILLUMINATED OR ILLUMINATES INTERMITTENTLY

POSSIBLE CAUSE	POSSIBLE REMEDY/ACTION
Blown fuse	Check the fuses. See page 140.
Loose or damaged tone ring	Inspect tone ring for looseness or chipped teeth.
Debris lodged in components	Inspect wheel speed sensor and tone ring for debris.
Damage caused by debris	Inspect wheel speed sensor for cracked housing.
Damaged components	See service manual or authorized dealer.

CLEANING AND STORAGE

CLEANING PRODUCTS

This section provides tips on the very best way to clean, polish and preserve every surface of your beautiful new INDIAN MOTORCYCLE. We recommend the use of our new INDIAN MOTORCYCLE cleaning and polishing products and accessories, which have been specially designed to offer the best care possible for your INDIAN MOTORCYCLE.

In addition to the products recommended in this section for cleaning and polishing, INDIAN MOTORCYCLE also has specialty products for:

- enhancing black and silver engines
- cleaning engines, tires and wheels
- removing brake dust

After cleaning the motorcycle, inspect for damage to the painted surfaces. Chips or scratches should be repaired promptly to prevent corrosion.

For Matte Clear Coat Finish Care, see the *Matte Clear Coat Finish Care* section for details.

For Gloss Clear Coat Finish Care, see the *Gloss Clear Coat Finish Care* section for details.

For more information, or for answers to your cleaning and detailing questions, please see your INDIAN MOTORCYCLE dealer.

WASHING THE MOTORCYCLE

NOTICE

Do not use pressurized water to wash the motorcycle. Water may seep in and deteriorate wheel bearings, brake caliper assemblies, brake master cylinders, electrical connectors, steering head bearings, and transmission seals. Do not direct any water stream at air intakes, exhaust outlets, electrical connectors or audio system speakers. Electrical components may be damaged by water. Do not allow water to contact electrical components or connectors

1. Before washing, make sure exhaust pipes are cool. Cover each pipe opening with a plastic bag secured with a strong rubber band. Check that the spark plugs, spark plug wire caps, oil fill cap and fuel caps are properly seated.
2. Do not use abrasive cleaners.
3. Rinse off as much dirt and mud as possible with water running at low pressure. Use as little water as possible when washing near the air intake or the exhaust pipe openings. Dry these components thoroughly before using the motorcycle.
4. Clean the front fork tubes thoroughly to reduce fork seal wear and leakage.

CLEANING AND STORAGE

5. After washing, remove the rubber bands and plastic bags from the exhaust pipes. Start the engine and let it idle for a few minutes.
6. Make sure the brakes are functioning properly before riding.

WINDSHIELD CARE (IF EQUIPPED)

Clean the windshield with a soft cloth and plenty of warm water. Dry with a soft clean cloth. Remove minor scratches with a high-quality polishing compound designed for use on polycarbonate surfaces.

IMPORTANT

Brake fluid and alcohol will permanently damage the windshield and some types of thread-locking agents. Do not use glass cleaners, water or soil repellents, and petroleum or alcohol based cleaners on the windshield, as these products can damage the windshield.

GLOSS CLEAR COAT FINISH CARE

The Axalta® Sports and Equipment Finish System was used to provide the original gloss finish on your motorcycle. This finish system provides superior protection against the elements. To maximize the benefits of this system, use the following guide to care for the gloss finish on your motorcycle.

- During the first 30 days, when the finish is still fresh, clean the motorcycle with a water rinse only.
- Do not wax the motorcycle for the first 60 days. Doing so can cause loss of the gloss. After 60 days, use only waxes designed for new clear coat finishes.
- Do not use pressurized water to wash the motorcycle. When paint is still fresh, pressurized water could damage the finish. If using a pressure washer is unavoidable, keep the spray nozzle at least 24 in (60 cm) away from the surface of the motorcycle.
- Wash your motorcycle often, especially when exposed to salty, dusty, acidic or alkaline environments.
- Use warm or cool water and a soft cloth for cleaning.
- Use soaps that are non-abrasive and have a neutral pH (non acidic/non alkaline detergents).
- Do not use solvent-based solutions.
- Do not use a dry cloth to remove dust.
- Do not use a stiff bristle brush, which can scratch the surface.
- Do not wash with extremely hot water.
- Do not wash the motorcycle while the surface is hot and avoid washing the motorcycle in the hot sun. Minerals in the water may be difficult to remove once dried on the surface of the motorcycle.
- Do not allow spilled gasoline, motor oil or brake fluid to stand on the paint. Remove these substances immediately by rinsing with water. Use a soft cloth to absorb any remaining residue and dab dry.

- To remove bug remnants or road tar, use only products that are specifically designed for this purpose. Follow the product manufacturer's recommendations to prevent potential damage to the finish. Follow with a wash using the methods described in this section.
- Always brush away any ice or snow, do not scrape off.
- Chips or scratches should be repaired promptly to prevent corrosion.

MATTE CLEAR COAT FINISH CARE

Matte finish products are prone to trapping dirt, oils and other contaminants. Always clean this type of finish with warm water and a mild dish-washing detergent. Use a soft sponge to gently rub the surface, then rinse with clean warm water. For stubborn stains such as grease or oil, use a citrus-based cleaner. Spray the cleaner onto the area and rub gently with a soft sponge. Allow the cleaner to sit for a couple of minutes, then rinse well with clean warm water. Repeat as needed.

IMPORTANT

Never use a polishing/buffing wax or any sponge that has an abrasive surface when cleaning a matte finish. These products will buff the matte surface of the finish and result in a glossy finish. Never clean matte finishes with a pressure washer, as this will further imbed contaminants into the clear coat and may damage labels and decals.

STORAGE AREA PREPARATION

Choose a dry, well-ventilated storage location, inside a garage or other structure if possible. The location should have a firm, flat surface and allow enough space for the motorcycle.

WARNING

Gasoline is highly flammable and explosive under certain conditions. Do not store the motorcycle in any area (in home or garage) where it could be near open flames, pilot lights, sparks or electric motors. Do not smoke in the storage area.

To best preserve tire condition:

- The storage area should have a relatively constant and moderate temperature.
- The storage surface should be free of oil and gasoline.
- The motorcycle should not be near a radiator or other heat source, or any type of electric motor.

FUEL STABILIZER

Add fresh fuel to fill the fuel tank and add fuel stabilizer. Do not overfill.

Ride the motorcycle or start and run the engine for 15 minutes in a well ventilated area to distribute the stabilizer throughout the fuel system.

CLEANING AND STORAGE

TIRE INFLATION

Inflate the tires to normal pressure. See the Tire Pressure section for details.

ENGINE PROTECTION

Change the engine oil. See the Engine Oil / Filter Change section for details.

COOLING SYSTEM

Check the coolant level and maintain as recommended by adding coolant to the recovery bottle. See the *Coolant Level Inspection* section for details.

MAINTENANCE DURING STORAGE

During extended storage periods, maintain tire pressure and battery voltage at the recommended levels.

RODENTS

Mice and other rodents are often the worst enemy of a stored motorcycle. If the motorcycle will be stored in an area where mice are a concern (particularly in rural areas, barns, sheds, etc.) be sure to take extra measures to deter their infestation. This may include placing a screen mesh over any intake or exhaust openings (just be sure to remember to remove them when you take the motorcycle from storage).

PARK AND COVER THE MOTORCYCLE

1. Park the motorcycle in its storage location. Block the frame to take some of the weight off the front and rear wheels.

NOTICE

Starting the motorcycle periodically during storage is NOT recommended. Water vapor is a by-product of the combustion process, and corrosion may result unless the engine is operated long enough to bring the oil and exhaust system to normal operating temperature.

2. Secure a plastic bag over the (cooled) exhaust outlets to prevent moisture from entering the exhaust system.
3. Cover the motorcycle with a cover made from a durable, breathable material designed for storage. Covering the motorcycle helps protect it from dust and other airborne materials. The cover must be of a breathable material to prevent moisture from building up on the motorcycle which can cause oxidation of metal surfaces.

REMOVAL FROM STORAGE

1. Install a fully charged battery.
2. Check the oil level. If the motorcycle was stored in an area subject to wide swings in temperature and humidity (such as outdoors), change the engine oil before starting the engine.

<i>NOTICE</i>
During storage, temperature and humidity changes can cause condensation to form in the crankcase and mix with engine oil. Running the engine with oil that contains condensation can cause engine damage.

- During storage, temperature and humidity changes can cause condensation to form in the crankcase and mix with engine oil. Running the engine with oil that contains condensation can cause engine damage.
3. Inspect the storage area for signs of fluid leaks. Identify and perform service to any leaking components.
 4. Remove any intake or exhaust mesh covers installed for rodent protection.
 5. Make sure the fuel tank is at least 3/4 full.
 6. Perform the pre-ride inspections. See page 57.
 7. Perform a road test. See page 84.
 8. Wash and polish the motorcycle. Wax, polish or apply protectant to appropriate components.

SPECIFICATIONS

FTR

DIMENSIONS		
	FTR RALLY	FTR / FTR SPORT / FTR R CARBON / FTR X 100% R CARBON
Overall Length	87.9 in (2235 mm)	
Overall Width	33.9 in (862 mm)	
Overall Height	44 in (1120 mm)	
Unladen Seat Height	32.7 in (830 mm)	
Wheelbase	60.2 in (1529 mm)	
Ground Clearance	6.2 in (157 mm)	
Rake (frame)/Trail	26.3 Degrees/5.1 in (130.0 mm)	25.3 Degrees/3.9 in (99.9 mm)

WEIGHT	
Dry Weight (without fuel/fluids)	
FTR	496 lb (225 kg)
FTR Sport	501 lb (227 kg)
FTR Rally	503 lb (228 kg) EU Only - 511 lb (232 kg)
FTR R Carbon / FTR X 100% R Carbon	493 lb (224 kg)
Wet Weight (with fuel/fluids)	

SPECIFICATIONS

WEIGHT	
FTR	514 lb (233 kg)
FTR Sport	522 lb (237 kg)
FTR Rally	520 lb (236 kg) EU Only - 534 lb (242 kg)
FTR R Carbon / FTR X 100% R Carbon	518 lb (235 kg)
Gross Vehicle Weight Rating (GVWR)	
All Models	948 lb (430 kg)
Gross Axle Weight Rating (GAWR)	
All Models	Front: 364 lb (165 kg) Rear: 584 lb (265 kg)
Maximum Load Capacity (riders, cargo, accessories)	
FTR	434 lb (197 kg)
FTR Sport	426 lb (193 kg)
FTR Rally	428 lb (194 kg) EU Only - 414 lb (188 kg)
FTR R Carbon / FTR X 100% R Carbon	430 lb (195 kg)

CAPACITIES			
	FTR RALLY	FTR / FTR SPORT	FTR R CARBON / FTR X 100% R CARBON
Radiator Coolant	1.1 qt (2.0 L)		
Engine Oil	4.4 qt (4.16 L) Dry Engine		
Fuel	3.4 gal (13.0 L)		
Fuel Reserve (fuel light on)	0.5 gal (1.9 L)		
Fork Oil	Non-Adjustable: 17.5 ± 0.2 fl oz 519 ± 6 cm ³	Adjustable: 17.1 ± 0.2 fl oz 508 ± 6 cm ³	Adjustable: 18.4 ± 0.2 fl oz 544 ± 6 cm ³

WHEELS / TIRES		
	FTR RALLY	FTR / FTR SPORT / FTR R CARBON / FTR X 100% R CARBON
Front Wheel Size/Type	19 in (48.26 cm) x 3.00 in (7.62 cm) Cast	17 in (43.18 cm) x 3.50 in (8.89 cm) Cast
Rear Wheel Size/Type	18 in (45.72 cm) x 4.25 in (10.80 cm) Cast	17 in (43.18 cm) x 5.5 in (13.97 cm) Cast
Front Tire Type/Size	120/70 R19 60V	120/70 ZR17 58W
Rear Tire Type/Size	150/70 R18 70V	180/55 ZR17 73W
Tire Pressure	Front: 36 psi (248 kPa) Rear: 40 psi (276 kPa)	

SPECIFICATIONS

CHASSIS		
	FTR RALLY	FTR / FTR SPORT / FTR R CARBON / FTR X 100% R CARBON
F Suspension Type/Travel	Inverted Telescopic Cartridge Fork / 150 mm	Adjustable Inverted Telescopic Cartridge Fork / 120 mm
F Fork Tube Diameter	43 mm	43 mm
R Suspension Type/Travel	Monotube IFP / 150 mm	Piggyback IFP / 130 mm
Swingarm	Steel	
Front Brakes	Dual / 320 mm x t5 Rotor / 4-Piston Caliper	
Rear Brakes	Single/ 260 mm x t5 Rotor / 2-Piston Caliper	

ENGINE	
Engine Type	Liquid Cooled V-Twin (60 Degrees)
Displacement	73 Cid (1203 cc)
Compression Ratio	12.5 : 1
Valve Train	DOHC, 4 Valves Per Cylinder, Graded Buckets
Bore and Stroke	102 mm x 73.6 mm
Fuel System/Throttle Body Bore	Closed Loop Fuel Injection / Dual 60 mm Bore
Exhaust System	Two O2 Sensors (one in each bank) Single three-way catalyst in resonator
Rev Limit	9000 RPM
Idle RPM	1250 RPM +/- 50 RMP (Fully Warm)

ENGINE	
Lubrication System	Semi-Dry Sump
Spark Plug/Gap	NGK® MR7F 0.030 in (0.80 mm)

DRIVETRAIN		
	FTR RALLY	FTR / FTR SPORT / FTR R CARBON / FTR X 100% R CARBON
Primary Drive	Gear Drive Wet Clutch	
Crank Gear	46-Tooth	
Clutch Gear	77-Tooth	
Clutch Type	Wet, Assist & Slip, Multi-Plate	
Primary Reduction Ratio	1.674 : 1	
Transmission Type	6 Speed / Constant-Mesh / Foot Shift	
Gear Shift Pattern	1 Down / 5 Up	
Final Drive Type	Chain / 525HV3X / 116 Link	Chain / 525HV3X / 114 Link

SPECIFICATIONS

ELECTRICAL	
Alternator	460W @ 3000 RPM
Battery	12 V, 12AH, 240 CCA Maintenance Free AGM
Voltage Regulator	14.5 V / 32 A
Headlight	Non-Serviceable LED
Tail/Brake Light	Non-Serviceable LED
Turn Signal	Non-Serviceable LED
License Plate	Non-Serviceable LED
Speedometer	Non-Serviceable LED
Indicator Lights	Non-Serviceable LED
Position Bulb	Non-Serviceable LED

FUEL RECOMMENDATION

For best performance, use only unleaded gasoline with a 91 pump octane minimum (R+M/2 Method) or 95 RON minimum. **DO NOT USE E-85 GASOLINE OR GASOLINE CONTAINING METHANOL.** Using E85 or gasoline/methanol blends can result in poor starting and driveability, engine damage and damage to critical fuel system components.

- *Gasoline containing up to 10% Ethanol can be used.*

In the event that the recommended premium unleaded gasoline is not available and low octane fuel must be used, fill the fuel tank only partially with unleaded regular gasoline, then fill the tank fully with premium unleaded gasoline as soon as possible.



ENGINE OIL RECOMMENDATION

We recommend the use of INDIAN MOTORCYCLE Full Synthetic 15W-60 Engine Oil for your motorcycle. This oil is formulated with synthetic-based oil and premium engine additive which have physical properties that meet API SM and ILSAC GF-4 specifications.

Do not blend oil additives with engine oil.

If oil must be added in an emergency and the recommended oil is not available, choose only a high-quality 15W-60 motorcycle oil. Change back to the recommended oil at the first opportunity.

Engine oil for this vehicle needs to be JASO MA compliant.

NOTICE

Use of non-recommended lubricants can result in engine damage. Damage resulting from the use of non-recommended lubricants is not covered by warranty.

FORK OIL

We recommend the use of INDIAN MOTORCYCLE Fork Oil for your motorcycle.

BRAKE FLUID

We recommend the use of INDIAN MOTORCYCLE DOT 4 Brake Fluid for both brake master cylinders. **DO NOT use DOT 5 silicone fluid.**

WARRANTY

INDIAN MOTORCYCLE WARRANTY POLICY

LIMITED WARRANTY

INDIAN MOTORCYCLE, 2100 Highway 55, Medina, MN 55340 (INDIAN MOTORCYCLE) gives a TWO YEAR LIMITED WARRANTY on all components of your INDIAN MOTORCYCLE against defects in material or workmanship. This warranty covers parts and labor charges for repair or replacement of defective parts and begins on the date of purchase by the original retail purchaser. This warranty is transferable to another owner during the warranty period through an INDIAN MOTORCYCLE dealer, but any such transfer will not extend the original term of the warranty. The duration of this warranty may vary by international region based upon local laws and regulations.

REGISTRATION

At the time of sale, the Warranty Registration Form must be completed by your dealer and submitted to INDIAN MOTORCYCLE within ten days of purchase. Upon receipt of this registration, INDIAN MOTORCYCLE will record the registration for warranty. No verification of registration will be sent to the purchaser as the copy of the Warranty Registration Form will be your proof of warranty coverage. If you have not signed the original registration and received the customer copy, please contact your dealer immediately. **NO WARRANTY COVERAGE WILL BE ALLOWED UNLESS YOUR MOTORCYCLE IS REGISTERED WITH INDIAN MOTORCYCLE.** Initial dealer preparation and set-up of your motorcycle is very important in ensuring trouble-free operation. Purchasing a vehicle in the crate or without proper dealer set-up will void your warranty coverage.

WARRANTY

LIMITATIONS OF WARRANTIES AND REMEDIES

This INDIAN MOTORCYCLE limited warranty excludes any failures that are not caused by a defect in material or workmanship. THIS WARRANTY DOES NOT COVER CLAIMS OF DEFECTIVE DESIGN. This warranty also does not cover acts of God, accidental damage, normal wear and tear, abuse or improper handling. This warranty also does not cover any motorcycle, component, or part that has been altered structurally, modified, neglected, improperly maintained or used for racing, competition, or purposes other than for which it was designed.

This warranty excludes damages or failures resulting from: improper lubrication; improper engine timing; improper fuel; surface imperfections caused by external stress, heat, cold or contamination; operator error or abuse; improper component alignment, tension, adjustment or altitude compensation; snow, water, dirt or other foreign substance ingestion/contamination; improper maintenance; modified components; use of aftermarket or unapproved components, accessories, or attachments; unauthorized repairs; or repairs made after the warranty period expires or by an unauthorized repair center.

This warranty excludes damages or failures caused by abuse, accident, fire, or any other cause other than a defect in materials or workmanship and provides no coverage for consumable components, general wear items, or any parts exposed to friction surfaces, stresses, environmental conditions and/or contamination for which they were not designed or not intended, including but not limited to the following items:

- Wheels and tires
- Suspension components
- Brake components
- Seat components
- Clutches and components
- Steering components
- Batteries
- Light bulbs/Sealed beam lamps
- Filters
- Lubricants
- Bushings
- Sealants
- Coolants
- Bearings
- Finished and unfinished surfaces
- Fuel Injectors/Throttle body components
- Engine components
- Drive chain
- Hydraulic components and fluids
- Circuit breakers/Fuses
- Electronic components
- Spark plugs

LUBRICANTS AND FLUIDS

1. Mixing oil brands or using non-recommended oil may cause engine damage. We recommend the use of INDIAN MOTORCYCLE engine oil.
2. Damage or failure resulting from the use of non-recommended lubricants or fluids is not covered by this warranty.

This warranty provides no coverage for personal loss or expense, including mileage, transportation costs, hotels, meals, shipping or handling fees, motorcycle pick-up or delivery, replacement rentals, loss of vehicle use, loss of profits, or loss of vacation or personal time.

The exclusive remedy for breach of this warranty shall be, at INDIAN MOTORCYCLE's option, repair or replacement of any defective materials, components, or products. THE REMEDIES SET FORTH IN THIS WARRANTY ARE THE ONLY REMEDIES AVAILABLE TO ANY PERSON FOR BREACH OF THIS WARRANTY. INDIAN MOTORCYCLE SHALL HAVE NO LIABILITY TO ANY PERSON FOR INCIDENTAL, CONSEQUENTIAL OR SPECIAL DAMAGES OF ANY DESCRIPTION, WHETHER ARISING OUT OF EXPRESS OR IMPLIED WARRANTY OR ANY OTHER CONTRACT, NEGLIGENCE, OR OTHER TORT OR OTHERWISE. THIS EXCLUSION OF CONSEQUENTIAL, INCIDENTAL, AND SPECIAL DAMAGES IS INDEPENDENT FROM AND SHALL SURVIVE ANY FINDING THAT THE EXCLUSIVE REMEDY FAILED OF ITS ESSENTIAL PURPOSE.

THE IMPLIED WARRANTY OF FITNESS FOR A PARTICULAR PURPOSE IS EXCLUDED FROM THIS LIMITED WARRANTY. ALL OTHER IMPLIED WARRANTIES (INCLUDING BUT NOT LIMITED TO THE IMPLIED WARRANTY OF MERCHANTABILITY) ARE LIMITED IN DURATION TO THE ABOVE TWO YEAR WARRANTY PERIOD. INDIAN MOTORCYCLE DISCLAIMS ALL EXPRESS WARRANTIES NOT STATED IN THIS WARRANTY. SOME STATES DO NOT PERMIT THE EXCLUSION OR LIMITATION OF INCIDENTAL OR CONSEQUENTIAL DAMAGES OR ALLOW LIMITATIONS ON THE DURATION OF IMPLIED WARRANTIES, SO THE ABOVE LIMITATIONS MAY NOT APPLY TO YOU IF INCONSISTENT WITH CONTROLLING STATE LAW.

HOW TO OBTAIN WARRANTY SERVICE

If your motorcycle requires warranty service, you must take it to an INDIAN MOTORCYCLE Servicing Dealer. When requesting warranty service you must present your copy of the Warranty Registration Form to the dealer. (THE COST OF TRANSPORTATION TO AND FROM THE DEALER IS YOUR RESPONSIBILITY). INDIAN MOTORCYCLE suggests that you use your original selling dealer; however, you may use any INDIAN MOTORCYCLE Servicing Dealer to perform warranty service.

WARRANTY

IN THE COUNTRY WHERE YOUR MOTORCYCLE WAS PURCHASED:

Warranty or Service Bulletin repairs must be done by an authorized INDIAN MOTORCYCLE dealer. If you move or are traveling within the country where your motorcycle was purchased, Warranty and Service Bulletin repairs may be requested from any authorized INDIAN MOTORCYCLE dealer.

OUTSIDE THE COUNTRY WHERE YOUR MOTORCYCLE WAS PURCHASED:

If you are traveling temporarily outside the country where your motorcycle was purchased, you should take your motorcycle to an authorized INDIAN MOTORCYCLE dealer. You must show the dealer photo identification from the country of the selling dealer's authorized location as proof of residence. Upon residence verification, the servicing dealer will be authorized to perform the warranty repair.

IF YOU MOVE:

If you move to another country, be sure to contact INDIAN MOTORCYCLE Customer Assistance and the customs department of the destination country before you move. Vehicle importation rules vary considerably from country to country. You may be required to present documentation of your move to INDIAN MOTORCYCLE in order to continue your warranty coverage. You may also be required to obtain documentation from INDIAN MOTORCYCLE in order to register your motorcycle in your new country. You should warranty register your motorcycle at a local INDIAN MOTORCYCLE dealer in your new country immediately after you move to continue your warranty coverage and to ensure that you receive information and notices regarding your motorcycle.

IF YOU PURCHASE FROM A PRIVATE PARTY:

If you purchase an INDIAN MOTORCYCLE from a private party, to be kept and used outside of the country in which the motorcycle was originally purchased, all warranty coverage will be denied. You must nonetheless register your motorcycle under your name and address with a local INDIAN MOTORCYCLE dealer in your country to ensure that you receive safety information and notices regarding your motorcycle.

EXPORTED VEHICLES

EXCEPT WHERE SPECIFICALLY REQUIRED BY LAW, THERE IS NO WARRANTY OR SERVICE BULLETIN COVERAGE ON THIS VEHICLE IF IT IS SOLD OUTSIDE THE COUNTRY OF THE SELLING DEALER'S AUTHORIZED LOCATION. This policy does not apply to vehicles that have received authorization for export from INDIAN MOTORCYCLE. Dealers may not give authorization for export. You should consult an authorized dealer to determine this vehicle's warranty or service coverage if you have any questions. This policy does not apply to vehicles registered to government officials or military personnel on assignment outside the country of the selling dealer's authorized location. This policy does not apply to Safety Bulletins.

NOTICE

If your vehicle is registered outside of the country where it was purchased and you have not followed the procedure set above, your vehicle will no longer be eligible for warranty or service bulletin coverage of any kind, other than safety bulletins. Vehicles registered to Government officials or military personnel on assignment outside of the country where the vehicle was purchased will continue to be covered by the Limited Warranty.

Please work with your dealer to resolve any warranty issues. Should your dealer require any additional assistance, they will contact the appropriate person at INDIAN MOTORCYCLE.

This warranty gives you specific legal rights, and you may also have other rights which vary from state to state or in different countries. If any of the above terms are void because of federal, state, local law, all other warranty terms will remain in effect.

For questions call INDIAN MOTORCYCLE Customer Assistance:

United States & Canada: 1-877-204-3697

French: 1-800-268-6334

WARRANTY

MOTORCYCLE NOISE REGULATION

Tampering with noise control systems is prohibited. Federal law prohibits the following acts or causing thereof:

- The removal or rendering inoperative by any person other than for the purposes of maintenance, repair, or replacement, of any device or element of design incorporated into any new vehicle for the purpose of noise control prior to its sale or delivery to the ultimate purchaser or while it is in use, or
- The use of the vehicle after such device or element of design has been removed or rendered inoperative by any person.

Among those acts presumed to constitute tampering are the acts listed below:

- Removal or puncturing of the muffler, baffles, header pipes, or any other component which conducts exhaust gasses.
- Removal or puncturing of any part of the intake system.
- Lack of proper maintenance.
- Replacing any moving part of the vehicle, or parts of the exhaust system or intake system, with parts other than those specified by the manufacturer.

This product should be checked for repair or replacement if the motorcycle noise has increased significantly through use. Otherwise, the owner may become subject to penalties under state and local ordinances.

NOISE EMISSION WARRANTY

INDIAN MOTORCYCLE warrants that this exhaust system, at the time of sale, meets all applicable U.S. EPA Federal noise standards. This warranty extends to the first person who buys this exhaust system for purposes other than resale, and to all subsequent buyers.

Warranty claims should be directed to:

- *An authorized INDIAN MOTORCYCLE dealer, or*
- *INDIAN MOTORCYCLE, 2100 Highway 55, Medina, MN 55340*

EMISSIONS CONTROL SYSTEM WARRANTY

INDIAN MOTORCYCLE COMPANY - EMISSION CONTROL SYSTEM WARRANTY STATEMENT

YOUR WARRANTY RIGHTS AND OBLIGATIONS

The California Air Resources Board and INDIAN MOTORCYCLE are pleased to explain the emission control system warranty on your 2015 or later INDIAN MOTORCYCLE. In California, new motor vehicles must be designed, built and equipped to meet the state's stringent anti-smog standards. INDIAN MOTORCYCLE must warrant the emission control system on your motorcycle for the periods of time listed below provided there has been no abuse, neglect or improper maintenance of your motorcycle. Your emission control system may include parts such as the fuel-injection system, the ignition system, catalytic converter and engine computer. Also included may be hoses, belts, connectors and other emission related assemblies. Where a warrantable condition exists, INDIAN MOTORCYCLE will repair your motorcycle at no cost to you, including diagnosis, parts and labor.

MANUFACTURER'S WARRANTY COVERAGE

Class III motorcycles (280 cm³ and larger): for a period of use of five (5) years or 18,641 miles (30,000 km), whichever first occurs.

If an emission-related part on your motorcycle is defective, the part will be repaired or replaced by INDIAN MOTORCYCLE. This is your emission control system DEFECTS WARRANTY.

MANUFACTURER'S WARRANTY COVERAGE (KOREA)

Class III motorcycles (280 cm³ and larger): for a period of use of two (2) years or 21,747 miles (35,000 km), whichever first occurs.

If an emission-related part on your motorcycle is defective, the part will be repaired or replaced by INDIAN MOTORCYCLE. This is your emission control system DEFECTS WARRANTY.

WARRANTY

OWNER'S WARRANTY RESPONSIBILITIES

As the motorcycle owner, you are responsible for the performance of the required maintenance listed in your Rider's manual. INDIAN MOTORCYCLE recommends that you retain all receipts covering maintenance on your motorcycle, but INDIAN MOTORCYCLE cannot deny warranty solely for the lack of receipts or for your failure to ensure the performance of all scheduled maintenance. You are responsible for presenting your motorcycle to an INDIAN MOTORCYCLE dealer as soon as a problem exists. The warranty repairs should be completed in a reasonable amount of time, not to exceed 30 days. As the motorcycle owner, you should be aware that INDIAN MOTORCYCLE may deny your warranty coverage if your motorcycle or part has failed due to abuse, neglect, improper maintenance or unapproved modifications.

If you have any questions regarding your warranty rights and responsibilities, you should contact INDIAN MOTORCYCLE, 2100 Highway 55, Medina, MN 55340, or the California Air Resources Board, P.O. Box 8001, 9528 Telstar Avenue, El Monte, CA 91734-8001.

INDIAN MOTORCYCLE warrants that each new 2015 and later INDIAN MOTORCYCLE that includes as standard equipment a headlight, taillight and stoplight, and is street legal:

- A. is designed, built and equipped so as to conform at the time of initial retail purchases with all applicable regulations of the United States Environmental Protection Agency, and the California Air Resources Board; and
- B. is free from defects in material and workmanship which cause such motorcycle to fail to conform with applicable regulations of the United States Environmental Protection Agency or the California Air Resources Board for a period of use, depending on the engine displacement, of 7,456 miles (12,000 km), if the motorcycle's engine displacement is less than 170 cm³; of 11,185 miles (18,000 km), if the motorcycle's engine displacement is equal or greater than 170 cm³ but less than 280 cm³; or of 18,641 miles (30,000 km), if the motorcycle's engine displacement is 280 cm³ or greater; or 5 (five) years from the date of initial retail delivery, whichever occurs first.

I. COVERAGE

Warranty defects shall be remedied during customary business hours at any authorized INDIAN MOTORCYCLE dealer located within the United States of America in compliance with the Clean Air Act and applicable regulations of the United States Environmental Protection Agency and the California Air Resources Board. Any part or parts replaced under this warranty shall become the property of INDIAN MOTORCYCLE.

In the State of California only, emission-related warranted parts are specifically defined by the state's Emission Warranty Parts List. These warranted parts are: carburetor and internal parts; intake manifold; fuel tank; fuel injection system; spark advance mechanism; crankcase breather; air cutoff valves; fuel tank cap for evaporative emission controlled vehicles; oil filler cap; pressure control valve; fuel/vapor separator; canister; igniters; breaker governors; ignition coils; ignition wires; ignition points; condensers, and spark plugs if failure occurs prior to the first scheduled replacement; and hoses, clamps, fittings and tubing used directly in these parts. Since emission related parts may vary from model to model, certain models may not contain all of these parts and certain models may contain functionally equivalent parts. In the State of California only, Emission Control System emergency repairs, as provided for in the California Administrative Code, may be performed by other than an authorized INDIAN MOTORCYCLE dealer. An emergency situation occurs when an authorized INDIAN MOTORCYCLE dealer is not reasonably available, a part is not available within 30 days or a repair is not complete within 30 days. Any replacement part can be used in an emergency repair. INDIAN MOTORCYCLE will reimburse the owner for expenses, including diagnosis, not to exceed INDIAN MOTORCYCLE's suggested retail price for all warranted parts replaced and labor charges based on INDIAN MOTORCYCLE's recommended time allowance for the warranty repair and the geographically appropriate hourly labor rate. The owner may be required to keep receipts and failed parts in order to receive compensation.

WARRANTY

II. LIMITATIONS

The Emission Control System Warranty shall not cover any of the following:

A. Repair or replacement required as a result of:

- Accident
- Misuse
- Repairs improperly performed or replacements improperly installed
- Use of replacement parts or accessories not conforming to INDIAN MOTORCYCLE specifications which adversely affect performance and/or
- Use in competitive racing or related events.

B. Inspections, replacement of parts, and other services and adjustments necessary for required maintenance.

C. Any motorcycle on which the odometer mileage has been changed so that actual mileage cannot be readily determined.

III. LIMITED LIABILITY

- A. The liability of INDIAN MOTORCYCLE under this Emission Control System Warranty is limited solely to the remedying of defects in material or workmanship by an authorized INDIAN MOTORCYCLE dealer at its place of business during customary business hours. This warranty does not cover inconvenience or loss of use of the motorcycle or transportation of the motorcycle to or from the INDIAN MOTORCYCLE dealer. INDIAN MOTORCYCLE SHALL NOT BE LIABLE FOR ANY OTHER EXPENSES, LOSS OR DAMAGE, WHETHER DIRECT, INCIDENTAL, CONSEQUENTIAL OR EXEMPLARY ARISING IN CONNECTION WITH THE SALE OR USE OF OR INABILITY TO USE THE INDIAN MOTORCYCLE FOR ANY PURPOSE. SOME STATES DO NOT ALLOW THE EXCLUSION OR LIMITATION OF ANY INCIDENTAL OR CONSEQUENTIAL DAMAGES, SO THE ABOVE LIMITATIONS MAY NOT APPLY TO YOU.
- B. NO EXPRESS EMISSION CONTROL SYSTEM WARRANTY IS GIVEN BY INDIAN MOTORCYCLE EXCEPT AS SPECIFICALLY SET FORTH HEREIN. ANY EMISSION CONTROL SYSTEM WARRANTY IMPLIED BY LAW, INCLUDING ANY WARRANTY OF MERCHANTABILITY OR FITNESS FOR A PARTICULAR PURPOSE, IS LIMITED TO THE EXPRESS EMISSION CONTROL SYSTEM WARRANTY TERMS STATED IN THIS WARRANTY. THE FOREGOING STATEMENTS OF WARRANTY ARE EXCLUSIVE AND IN LIEU OF ALL OTHER REMEDIES. SOME STATES DO NOT ALLOW LIMITATIONS ON HOW LONG AN IMPLIED WARRANTY LASTS SO THE ABOVE LIMITATIONS MAY NOT APPLY TO YOU.
- C. No dealer is authorized to modify this INDIAN MOTORCYCLE Limited Emission Control System Warranty.

IV. LEGAL RIGHTS

THIS WARRANTY GIVES YOU SPECIFIC LEGAL RIGHTS, AND YOU MAY ALSO HAVE OTHER RIGHTS WHICH VARY FROM STATE TO STATE.

WARRANTY

V. THIS WARRANTY IS IN ADDITION TO THE INDIAN MOTORCYCLE LIMITED MOTORCYCLE WARRANTY

VI. ADDITIONAL INFORMATION

Any replacement part that is equivalent in performance and durability may be used in the performance of any maintenance or repairs. However, INDIAN MOTORCYCLE is not liable for these parts. The owner is responsible for the performance of all required maintenance. Such maintenance may be performed at a service establishment or by any individual. The warranty period begins on the date the motorcycle is delivered to an ultimate purchaser.

INDIAN MOTORCYCLE

2100 Highway 55

Medina, MN 55340

ATTN: Warranty Department

HOW THE CALIFORNIA EMISSIONS WARRANTY ON EMISSIONS -RELATED PARTS MUST FUNCTION AS PRESCRIBED IN 13 CCR § 2036

1. Any warranted part which is not scheduled for replacement as required maintenance in the Owner's Manual must be warranted for the warranty period. If any such part fails during the warranty period, it must be repaired or replaced by INDIAN MOTORCYCLE according to subsection (4) below. Any such part repaired or replaced under warranty must be warranted for the remaining warranty period.
2. Any warranted part which is scheduled only for regular inspection in the Owner's Manual must be warranted for the warranty period. A statement in such written instructions to the effect of "repair or replace as necessary" shall not reduce the period of warranty coverage. Any such part repaired or replaced under warranty shall be warranted for the remaining warranty period.
3. Any warranted part which is scheduled for replacement as required maintenance in the Owner's Manual must be warranted for the period of time or mileage, whichever first occurs, prior to the first scheduled replacement point for that part. If the part fails before the first scheduled replacement point, the part shall be repaired or replaced by INDIAN MOTORCYCLE according to subsection (4) below. Any such part repaired or replaced under warranty shall be warranted for the remainder of the period prior to the first scheduled replacement point for the part.
4. Repair or replacement of any warranted part under the warranty provisions of this article must be performed at no charge to the motorcycle owner, at a warranty station, except in the case of an emergency when a warranted part or a warranty station is not reasonably available to the motorcycle owner. In an emergency, repairs may be performed at any available service establishment, or by the owner, using any replacement part. INDIAN MOTORCYCLE must reimburse the owner for his or her expenses including diagnostic charges for such emergency repair or replacement, not to exceed INDIAN MOTORCYCLE's suggested retail price for all warranted parts replaced and labor charges based on INDIAN MOTORCYCLE's recommended time allowance for the warranty repair and the geographically appropriate hourly labor rate. A motorcycle owner may reasonably be required to keep receipts and failed parts in order to receive compensation for warranted repairs reimbursable due to an emergency.
5. Notwithstanding the provisions of subsection (4) above, warranty services or repairs must be provided at all INDIAN MOTORCYCLE dealerships which are franchised to service the subject motorcycles.
6. The motorcycle owner must not be charged for diagnostic labor which leads to the determination that a warranted part is in fact defective, provided that such diagnostic work is performed at a warranty station.
7. INDIAN MOTORCYCLE is liable for damages to other vehicle components proximately caused by a failure, under warranty, of any warranted part.

WARRANTY

8. Throughout the motorcycle's warranty period, INDIAN MOTORCYCLE must maintain a supply of warranted parts sufficient to meet the expected demand for such parts. The lack of availability of such parts or the incompleteness of repairs within a reasonable time period, not to exceed 30 days from the time the motorcycle is initially presented to the warranty station for repair, shall constitute an emergency for purposes of subsection (4).
9. Any replacement part may be used in the performance of any maintenance or repairs. Any replacement part designated by INDIAN MOTORCYCLE may be used in warranty repairs provided without charge to the motorcycle owner. Such use will not reduce the warranty obligations of INDIAN MOTORCYCLE, except that INDIAN MOTORCYCLE will not be liable under this article for repair or replacement of any replacement part which is not a warranted part (except as provided under subsection (7)).
10. Any add-on or modified part exempted by the Air Resources Board from the prohibitions of Vehicle Code section 27156 may be used on a motorcycle. Such use, in and of itself, will not be grounds for disallowing a warranty claim made in accordance with this article. INDIAN MOTORCYCLE is not liable under this article to warrant failures of warranted parts caused by the use of an add-on or modified part.

EXCLUSION

1. The repair or replacement of any warranted part otherwise eligible for warranty coverage described above, shall be excluded for such warranty coverage if INDIAN MOTORCYCLE demonstrates that the motorcycle has been abused, neglected, or improperly maintained, and that such abuse, neglect, or improper maintenance was the direct cause of the need for the repair or replacement of the part.

A

About the Rider's Manual 11
 Accelerating 79
 Adding Coolant 106
 AGM Battery Charger
 Recommendations 139
 AGM Battery Charging
 Recommendations 139
 AGM Battery Maintenance Tips 139
 Air Filter Replacement 102
 Ambient Air Temperature 34
 Anti-Lock Brake System (ABS) 40
 App Tray 50
 Average Fuel Economy 34

B

Battery 136
 Installation 137
 Removal 137
 Battery Charging and Maintenance 138
 Battery Voltage 34
 Before You Ride 43
 Bike Information 47
 Bluetooth® Pairing 54
 Brake Disc Inspection/Cleaning 128
 Brake Fluid 159
 Brake Fluid Precautions 123
 Brake Hoses/Connections 123
 Brake Lever, Front

 Lubrication 125
 Brake Pad Inspection 127
 Brakes
 Fluid Level Inspection 62
 Front Brake Lever, Lubrication 125
 Rear 127
 Brakes, Front
 Brake Pad Inspection 127
 Braking 78
 Break-In Maintenance 84

C

Care and Maintenance 44
 Carrying a Passenger 15
 Chain
 Adjustment 108
 Alignment 108
 Inspection 68
 Chain Tension 107, 109
 Charcoal Canister 120
 Checking Oil Level 60
 Cleaning Products 147
 Clock 35
 Clutch Lever 38
 Free Play Adjustment 121
 Lubrication 122
 Cold Weather Operation 75
 Compliance Statement 8
 Console 24
 Control

 Left Control 26
 Right Control 26
 Controls 50
 Coolant Level Inspection 105
 Cooling System 105
 Crankcase Breather Hoses 119
 Cruise Control 79
 Accelerate 80
 Cruise Control Tips 79
 Cruise Control, Cancel 80
 Decelerate 80
 Resume Speed 80
 Set Speed 80
 Cruise Control Switch 28

D

Diagnostic Functionality 36
 Display Screens 46
 Display Units (Standard/Metric) 34
 Drive Chain
 Adjustment 108
 Alignment 108
 Inspection 68
 Stretch Inspection 109
 Tension Specifications 109
 Drive Sprocket
 Inspection 67

INDEX

E

Electrical Precautions	141
Elevating the Motorcycle	142
Engine	
Oil / Filter Change	100
Engine Break-In	71
Engine Error Codes	35
Engine Identification Number	7
Engine Oil Recommendation	159
Engine Protection	150
Engine Speed	33
Engine Stop/Run Switch	30
EVAP system	120
Evaporative Emissions System	120
Exhaust System Inspection	142

F

Fastener Inspection	142
Fastener Torques	142
Fork Oil	159
Front Brake Fluid	125
Front Brake Lever	41
Front Fork	
Adjustment Guide	115
Front Fork/Suspension Inspection	114
Front Suspension, Inspection	66
Front Wheel	
Removal / Installation	129
Fuel and Exhaust Safety	17

Fuel Level	68
Fuel Recommendation	159
Fuel Stabilizer	149
Fuel System Components	119
Fuel Tan	
Vent Inspection	120
Fueling	72
Fuse Box	
Location	140
Fuses	
Location	140
Replacement	140

G

Gear Indicator	33
Gear Shift Lever	38
Gloss Clear Coat Finish Care	148
Gross Vehicle Weight Rating	19
GVWR	19

H

Headlight	
Aim Adjustment	134
Aim Inspection	133
Headlight Cowl Removal	135
Headlight Removal	135
Horn	29

I

Identification Number Record	8
Idle Shut Down	75
Ignition/Light Key Switch	27
Indicator Lamps	32
Industry Canada ICES-002	8
Instantaneous Fuel Economy	34
Instrument Cluster	31, 34

K

Key Identification Number	7
---------------------------------	---

L

LUBRICANTS AND FLUIDS	163
-----------------------------	-----

M

Maintenance	84
Maintenance During Storage	150
Maintenance Intervals	86
Maintenance Log	175
Maintenance, Major	84
Maps and Navigation	49
Matte Clear Coat Finish Care	149
Mechanical Clutch, Inspection	66
Media Switch	51

MFD Tell-Tales 32
 Mirrors 40
 Misfire Detection..... 36
 Modifications 16
 Motorcycle Noise Regulation 166
 Multi-Function Display (MFD)..... 33
 Music 49

N

Noise Emission Warranty..... 166

O

Odometer 33
 Oil Change
 Checking Oil Level..... 60
 Oil Change Procedure 100
 Oil Level
 Check 60
 Operating Motorcycle Outside the U.
 S.A. 7
 Operating Speeds and Gears 72
 Operation 71
 Operator Warning
 Fuel Caution..... 21
 Over Temperature Display and
 Warning Indicator..... 36

P

Park and Cover the Motorcycle 150
 Parking 81
 Parking on a Slope 81
 Parking on a Soft Surface 81
 Parking the Motorcycle 16
 Periodic Maintenance 85
 Severe Use Definition..... 85
 Pre-Ride Inspections..... 57
 Brake Lines 65
 Fasteners 69
 Front Brake Lever, Inspection..... 65
 Rear Brake Pedal, Inspection..... 65
 Side-stand 68
 Throttle 66
 Tire Condition 62
 Tires 61, 130
 Priming the Fuel System..... 73
 Protective Apparel 14

R

Rear Brake Fluid 124
 Rear Brake Pad
 Inspection..... 127
 Rear Brake Pedal..... 42, 123
 Rear Cylinder Deactivation..... 36
 Rear Shock
 Adjustment Guide 112
 Rear Suspension, Inspection 67

Removal From Storage 151
 Replacement Parts 84
 Reporting Safety Defects 19
 Ride Command..... 23
 Buttons 45
 Icon Bar 45
 Overview..... 43-44
 Update Maps 55
 Update Software..... 55
 Ride Height
 Adjustment 111
 Inspection..... 110
 Ride Information 48
 Ride Modes..... 52
 Road Tests 84
 Rodents 150

S

Saddlebags 16
 Safe Riding Practices 11
 Motorcycling Has Inherent Risks..... 11
 Safety During Service Procedures..... 83
 Safety Labels 20
 Safety Maintenance 18
 Safety Symbols and Signal Words 4
 Seat
 Installation 132
 Removal 132
 Service Information..... 7
 Service Intervals

INDEX

Maintenance	86
Settings	53
Shift Point	
Recommended	77
Shifting Gears.....	75
Shifting Gears While Stationary	76
Shock, Rear	
Preload Adjustment	111
Preload Inspection	110
Side Stand Lubrication	123
Side-stand	39
Spark Plugs.....	133
Specifications	159
Drive Chain.....	109
FTR.....	153
Speedometer	32
Starting the Engine.....	74
Steering Head Inspection	119
Stopping the Engine	79
Storage Area Preparation	149
Suspension Adjustment	
Front Fork	115
Rear Shock.....	112
Swing Arm/Rear Axle Inspection	114
Switches	25, 28, 30
Hazard Switch.....	28
Turn Signals	28

T

Throttle Control Grip	37
-----------------------------	----

Throttle Control Inspection	120
Tire Condition	131
Tire Inflation.....	150
Tire Pressure	61, 131
Tire Replacement.....	130
Tire Tread Depth.....	62, 131
Tires	61, 130
Transporting the Motorcycle.....	17
Trigger Switches.....	30
Trip Odometer	33
Troubleshooting	143

U

USB Port	56
----------------	----

V

Vehicle Emission Information	20
------------------------------------	----

W

Warranty	161
Warranty Information.....	7
Washing the Motorcycle.....	147
Wheel Alignment	129
Wheel Inspection.....	129
Wheel, Front	
Removal / Installation	129

Wheelie Mitigation.....	40
Windshield Care (if equipped).....	148

To locate your nearest dealer,
visit www.indianmotorcycle.com

INDIAN MOTORCYCLE

2100 Highway 55

Medina, MN 55340

Phone: 1-877-204-3697

French: 1-800-268-6334



Part No. 9941382 Rev 02
Printed in Hungary

